

Covermate III Maxxus/Ext Brkt

Installation Instructions - Updated as of 07/11/18

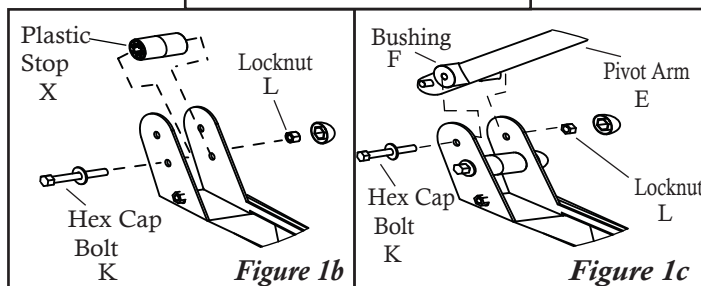
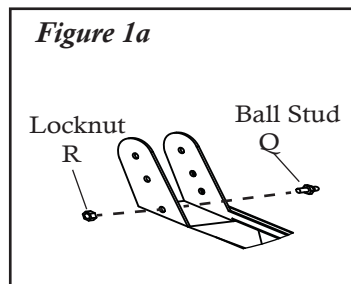


Figure 2

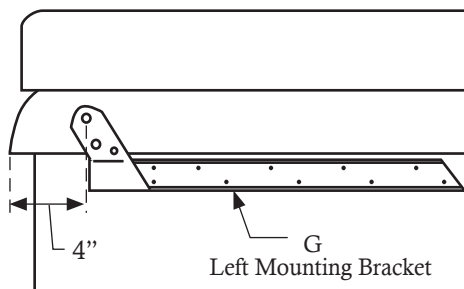
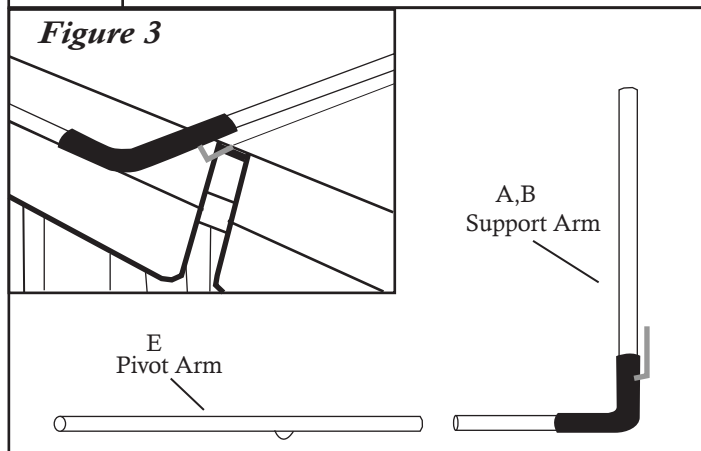


Figure 3



Step #1

Position the spa cover (in closed position) on the spa making sure that all four corners are properly positioned and square on the spa.

Step #2

Install the ball studs on each mounting bracket (see Fig 1a). **Note: Make sure the ball is pointing towards the spa.**

Step #3

Install the plastic stop and pivot arm bolt assembly (see Fig. 1b - 1c). **Note: Lightly tighten bolt assembly, overtightening will cause pivot arm to not move freely.**

Step #4

Using the #10 x 1-1/2" screws, attach the left and right mounting brackets to the appropriate sides of the spa. Brackets should be mounted 4" from the back of the spa, directly beneath the lip of the spa (see Fig. 2). **The pivot arm bolt hole in the bracket is measured in from the back of the spa 4".**

Step #5

Starting with the left side first, lay the long end of the cover support arm on the top of the cover, lying parallel to the spa cover hinge about 1/2" away. Slide the U-shaped retainer clip between the two cover halves with the horizontal part touching the underside of the cover hinge. **Note: Do not insert the U-shaped retainer clip in between the seams of the spa cover (see Fig. 3).** With the left support arm lying on the cover, slide the center coupler piece over the long end of the left support arm. Next, slide the long end of the right support arm into the center coupler and slide the U-shaped retainer clip between the two cover halves.

Step #6

Slide the left and right pivot arms onto the short end of the support arms (see Fig. 3). **Note: Do not insert self-tapping screws at this time, this will be completed in step #8.** Next, connect the pivot arms to the brackets (see Fig. 1c). Be sure to run the hex cap bolts as pictured. **Lightly tighten the nut so the pivot arm can move freely.**

Step #7

Next, install the ball studs to the left and right pivot arms. Place the two hex dome caps over the ball stud locknuts. **Note: Be sure that the ball is pointing away from the spa (see Fig. 4).**

Step #8

With the coupler piece and support arms adjusted properly (about 1/2" away from cover hinge and centered on spa), using the #10 self-tapping screws, fasten the support arms to the pivot arms and the center coupler piece to the support arms (see Fig. 5). **Note: Be sure to rotate the coupler piece so that the inserted screws are at a horizontal angle with the screw head facing the back of the spa.**

Step #9

Using the Covermate, lift the cover off the spa and place it in the upright position. Snap the gas shocks on the ball studs. **Note: Be sure to install gas shocks with the black body on top (see Fig. 6 for complete look).** **Note: You may need to pull back on the pivot arm a small amount to be able to attach the shock to the pivot arm.**

Step #10

Attach the provided 3 hook TowelMate on the preferred side of your Covermate by simply snapping it into place and inserting the middle self-tapping screw (see Fig. 7).

Figure 4

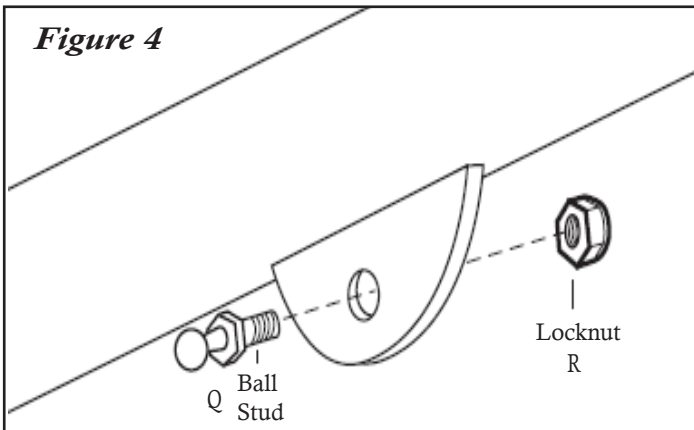


Figure 5

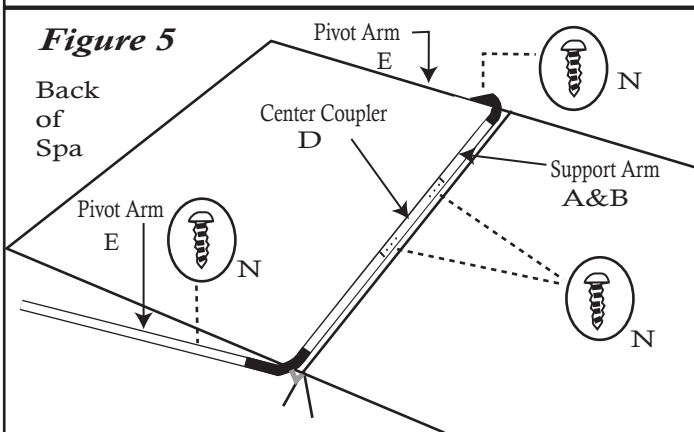


Figure 6

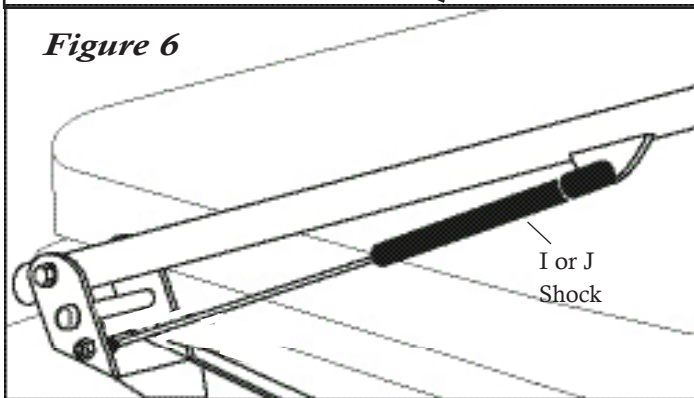
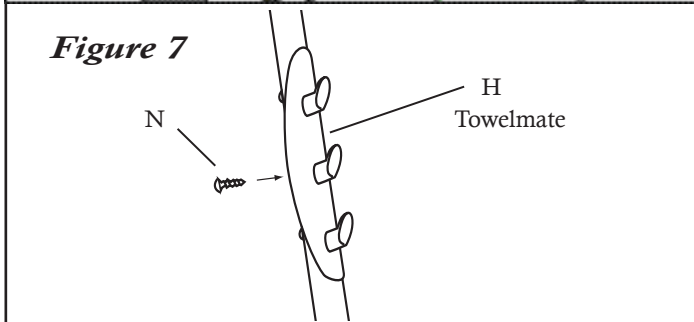


Figure 7



Step #11

Attach the provided large dome caps to the heads of the bolts used to attach the pivot arms to the mounting brackets in step 6. Snap the small dome caps on to the exposed heads of the mounting screws and the self-tapping screws.

Operation of the Covermate III MAXXUS/EXT BRKT

1. Fold the first half of the spa cover off the spa. Gripping the foam grip, motion the spa cover into its vertical upright position.

2. Important: When closing the spa cover, always make sure to unlock the shock by pushing on the orange stop before pulling the Covermate down to prevent possible lift damage.

CAUTION Do not use the Covermate in high wind condition. Injury from the spa cover being blown over and impacting the spa user can occur.

ITEM	PART#	DESCRIPTION	QTY
A	100029	SUPPORT ARM W/RETAINER-LEFT	1
B	100028	SUPPORT ARM W/RETAINER-RIGHT	1
C	100002	FOAM GRIP 8"	2
D	100003	CENTER COUPLER	1
E	100280/100022	PIVOT ARM	2
F	100344	BUSHING	4
G (L)	100549	MOUNTING BRACKET - LEFT	1
G (R)	100550	MOUNTING BRACKET - RIGHT	1
H	100008	TOWELMATE	1
I	101632	SHOCK-CMIII LOCKING	1
J	101510	SHOCK-CMIII	1
K	100010	3/8 X 2-3/4" HEX CAP BOLT	4
L	100011	3/8 NYLON LOCKNUT	4
M	100012	3/8 FLAT WASHER	4
N	100013	#10 X 5/8" SELF-TAPPING SCREWS	12
O	100909	#10 X 1-1/2" MOUNTING SCREWS	38
Q	100244	5/16 BALL STUD	4
R	100032	5/16 NYLON LOCKNUT	4
U	100015	LARGE BLACK DOME CAP	8
V	100034	HEX PLASTIC DOME CAP	4
W	100016	SMALL BLACK DOME CAP	50
X	100033	CMIII PLASTIC STOP	2