

Coast Spas CMI

14" Installation Instructions - Updated as of 08/30/12

Figure 1

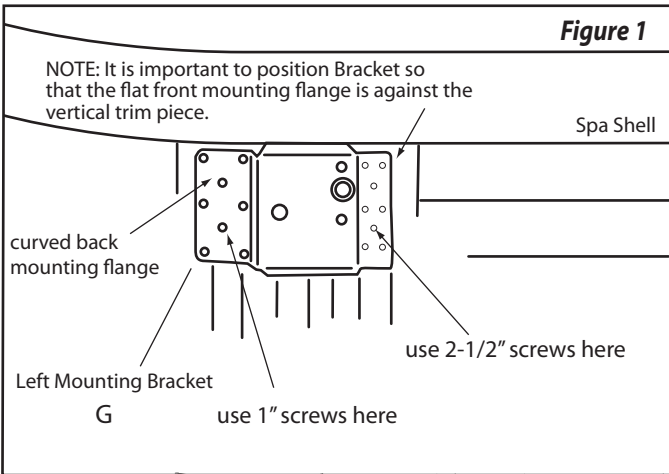


Figure 2

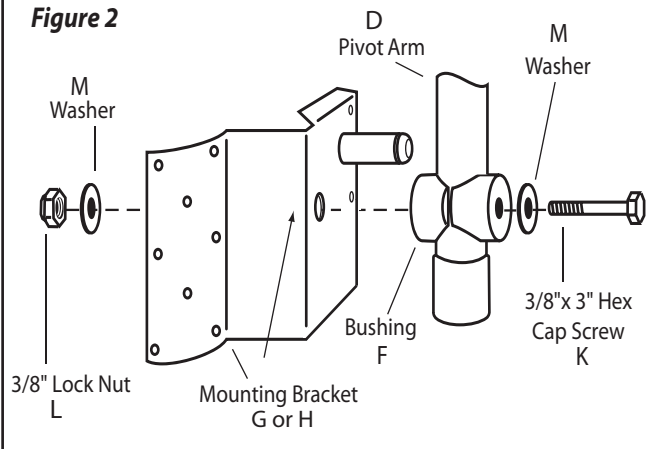


Figure 3

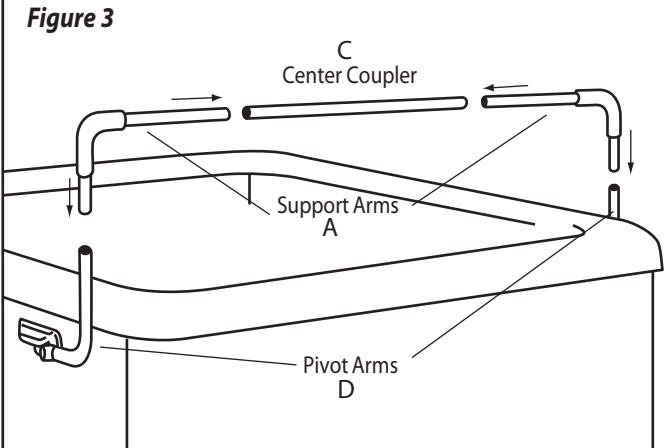


Figure 4

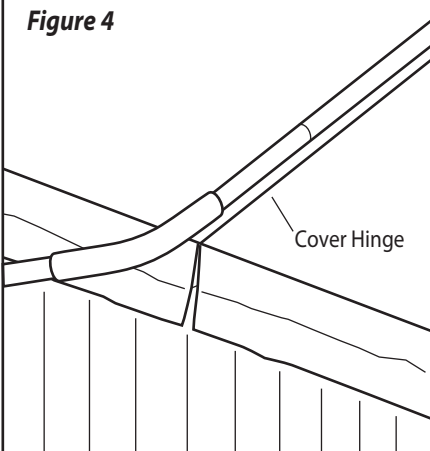
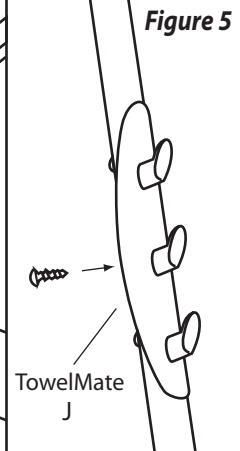


Figure 5



Step #1

Position the spa cover (in closed position) on the spa, making sure that all four corners are properly positioned and square on the spa.

Step #2

Attach the left and right Mounting Brackets to the appropriate sides of the spa using (16) #10 x 2 1/2" screws on the flat front mounting flange and (16) #10 x 1" screws on the curved back mounting flange. **Caution: to prevent splitting of wood cabinet, pre-drill holes with a 1/16" drill bit. Note: For Coast Spas with a raised back edge, the bracket must be mounted underneath the bottom lip of the spa shell (see Fig. 1).** If the back edge is not raised, by positioning the brackets 8" down from the top of the spa shell, approx. 9" of clearance behind the spa will be needed. Mounted at this position approx. 75% of the spa cover will be standing above the spa surface in the off position. By positioning the brackets 12" down from the top of the spa shell, approx. 15" clearance behind the spa will be needed. Mounted at this position approx. 50% of the spa cover will be standing above the spa surface in the off position.

Step #3

Connect the Pivot Arms to the Mounting Brackets (see Fig. 2). After the Pivot Arms are connected, tilt them back into the upright position.

Step #4

Insert the long end of the Support Arms into the Center Coupler piece. Then slide the Support Arms into the Pivot Arms (see Fig. 3).

Step #5

Lay the Covermate on the spa cover. Adjust the Center Coupler and Support Arms so that the Center Coupler is laying parallel to the spa cover's hinge about 1/2" away (see Fig. 4). Using the #10 self tapping screws, fasten the Support Arms to the Pivot Arms and the Center Coupler. **Note: Be sure to rotate the Center Coupler so that the inserted screws are at a horizontal angle with the heads facing the back of the spa.**

Step #6

Slip the black hand grips to the edge of the spa cover and snap the black plastic screw head covers on.

Step #7

Attach the provided 3 hook TowelMate on the preferred side of your Covermate by simply snapping it into place and inserting the middle self tapping screw (see Fig. 5).

CAUTION!

Do not use the Covermate in high wind condition. Injury from the spa cover being blown over and impacting the spa user can occur.

ITEM	PART#	DESCRIPTION	QTY
A	100001	SUPPORT ARM W/GRIP	2
B	100002	FOAM GRIP 8"	2
C	100003	CENTER COUPLER	1
D	100004	PIVOT ARM	2
E	100007	PIVOT ARM CAP	2
F	100344	BUSHING	4
G	100731	MOUNTING BRACKET - LEFT	1
H	100732	MOUNTING BRACKET - RIGHT	1
I	100024	VINYL BLACK CAP	2
J	100008	TOWELMATE	1
K	100010	3/8 X 3" HEX CAP SCREW	2
L	100011	3/8 NYLON LOCKNUT	2
M	100012	3/8 FLAT WASHER	4
N	100013	#10 X 5/8" SELF TAPPING SCREWS	12
O	100014	#10 X 1" MOUNTING SCREWS	16
P	100367	#10 X 2 1/2" MOUNTING SCREWS	16
Q	100015	LARGE BLACK DOME CAP	2
R	100016	SMALL BLACK DOME CAP	44