

### Step #1

Position the Smartop (in closed position) on the spa making sure that all four corners are properly positioned and square on the spa.

### Step #2

Install the ball studs on each mounting bracket (See Fig 1a).

### Step #3

Install the plastic stops on each mounting bracket (See Fig 1b).

### Step #4

Your Smartop brackets and bracket shims should be mounted 4" from the back of the spa, directly beneath the lip of the spa acrylic (see Fig. 2 & 2a).

### Step #5

Slide the support arms into the hole in the hinge bracket on either side of the cover (see Fig. 3). **Note: For any spa that is less than 6'8" in length, you will need to cut 2" off the end of the pivot arms and create a new bottom hole with the self-tapping screw. Touch up with black sharpie as needed.**

### Step #6

Slide the left and right pivot arms onto the short end of the support arms (See Fig. 3). **Note: Do not insert self-tapping screws at this time, this will be completed in Step #8.** Next connect the pivot arms to the brackets (See Fig. 1c). Be sure to run the hex cap screws as pictured. **Lightly tighten the nut so the pivot arm can move freely.**

### Step #7

Next, install the ball studs to the left and right pivot arms. Place the two hex dome caps over the ball stud locknuts. **Note: Be sure that the ball is pointing away from the spa** (see Fig. 4).

### Step #8

Using the #10 self-tapping screws, fasten the support arms to the pivot arms.

### Step #9

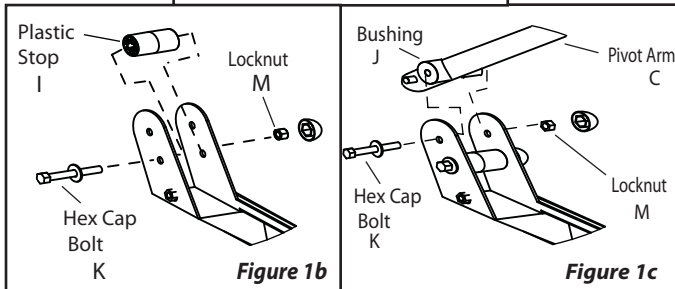
By pulling up on the support arm, lift the cover off the spa and place it in the upright position. Attach the gas shock to the bracket first, then attach the shock to the pivot arm. **Note: Be sure to install the gas shocks with the black body on top** (see Fig. 5 for complete look). **Note: You may need to pull back back on the pivot arm a small amount to be able to attach the shock to the pivot arm.**

### Step #10

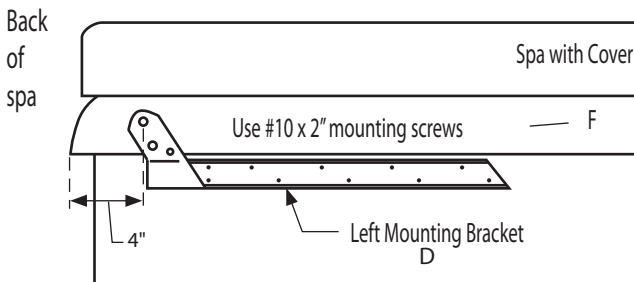
Remove the (2) green "Attention Installer" stickers on the underside of the Smartop. Using the #10 self-tapping screws, fasten the support arms to the internal tube in the center of the cover through the holes on the underside of the the cover (see Fig. 6). Cover the (3) holes on either side of the Smartop using the supplied black foam oval covers. **Note: Attach the black foam oval covers in the same position the green "Attention Installer" stickers were installed on the Smartop originally.**

### Step #11

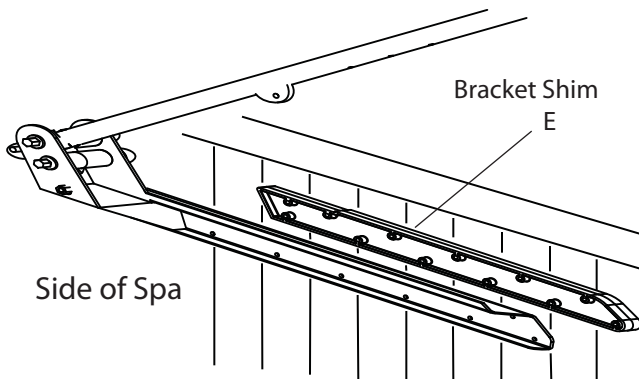
Attach the provided 3 hood TowelMate on the preferred side of your Smartop by simply snapping it into place and inserting the middle self tapping screw (see Fig. 7).



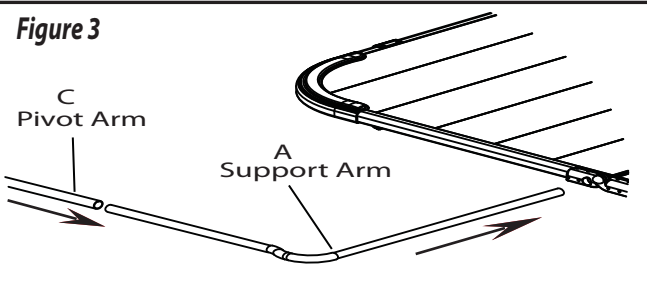
### Figure 2



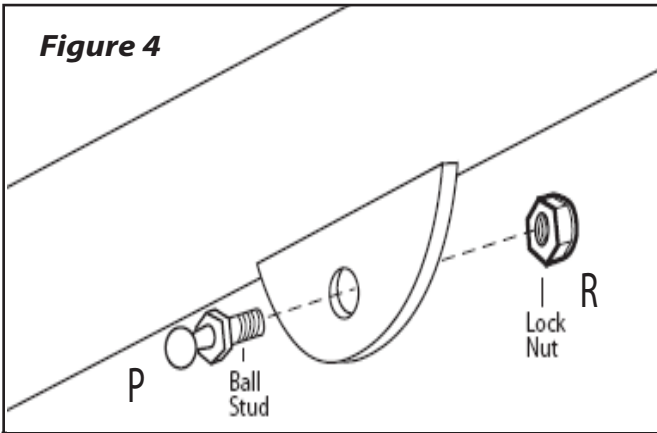
### Figure 2a



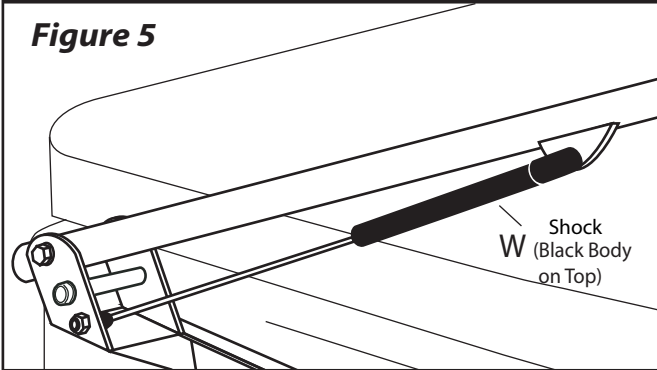
### Figure 3



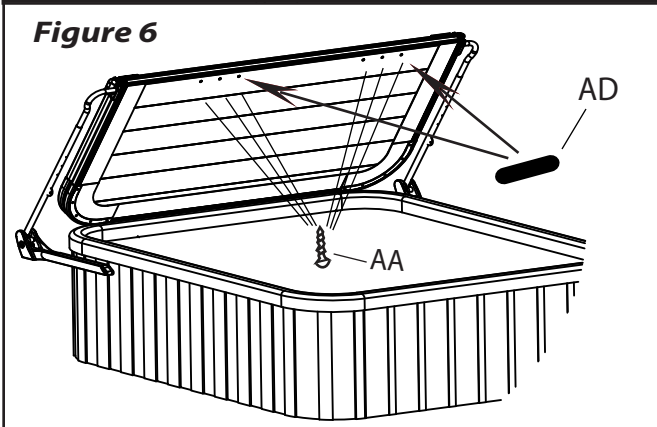
**Figure 4**



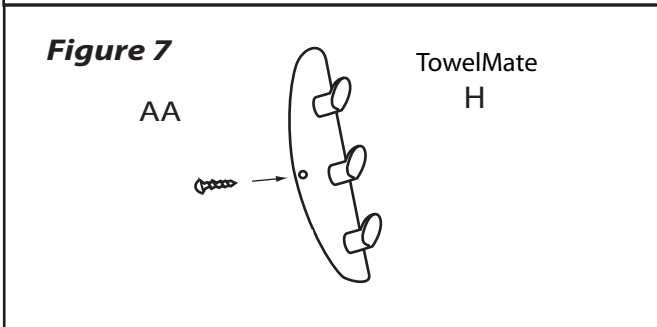
**Figure 5**



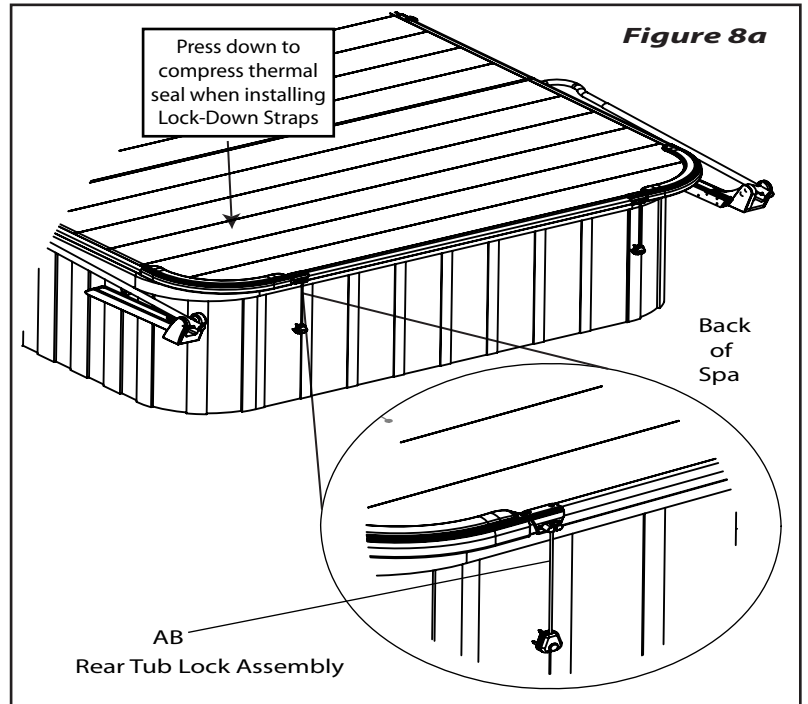
**Figure 6**



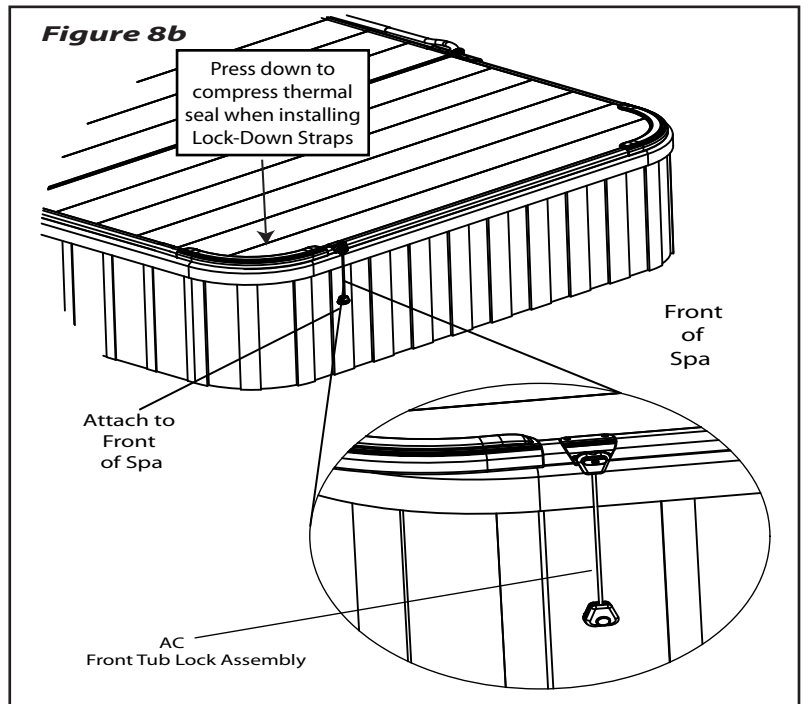
**Figure 7**



**Figure 8a**



**Figure 8b**



## Step #12

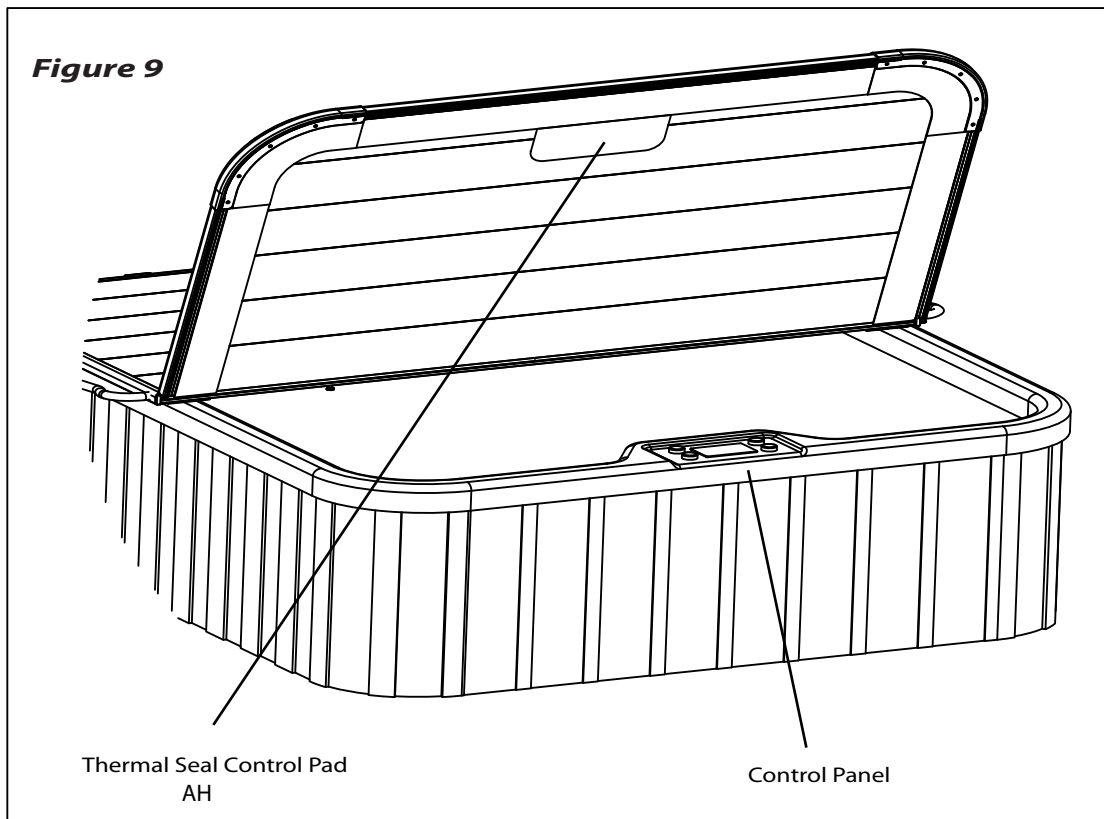
Attach the rear tub lock assembly to the aluminum trim on the back of the Smartop and the back of the spa cabinet. **Note: The rear tub lock assembly must be attached to the back of the spa cabinet prior to being attached to the aluminum trim of the Smartop.** To accomplish this, position the rear tub lock assembly in the desired location and swing the cable sideways to reveal the screw holes in the plate that attaches to the spa cabinet. **Note: Make sure you put downward pressure on the Smartop to compress the thermal seal while positioning your tub lock assemblies to assure the Smartop is making a good seal. Also, make sure to pre-drill screw holes to prevent potential damage to the Smartop and the Spa Skirting.** Attach the plate to the spa cabinet using the supplied #8 x 3/4" philips flat head screws (black). **Note: Do not over-tighten screws when attaching to the spa cabinet.** Next attach the rear tub lock assembly bracket to the desired position on the aluminum Smartop trim (see Fig. 8a).

## Step #13

For best results, attach the front tub lock assembly to the front of the aluminum trim on the Smartop and the front of the spa cabinet. **Note: The front tub lock assembly must be attached to the spa cabinet prior to being attached to the aluminum trim of the Smartop.** To accomplish this, position the front tub lock assembly in the desired location and swing the cable sideways to reveal the screw holes in the plate that attaches to the spa cabinet. **Note: Make sure you put downward pressure on the Smartop to compress the thermal seal while positioning your tub lock assemblies to assure the Smartop is making a good seal. Also, make sure to pre-drill screw holes to prevent potential damage to the Smartop and the Spa Skirting.** Attach the plate to the spa cabinet using the supplied #8 x 3/4" philips flat head screws (black). **Note: Do not over-tighten screws when attaching to the spa cabinet.** Next attach the front tub lock assembly bracket to the desired position on the aluminum Smartop trim (see Fig. 8b). **Note: Do not cover the service panel with the front tub lock assembly.**

## Step #14 (Optional)

If the thermal seal on the underside of the Smartop does not completely seal around the control panel of your spa, an additional thermal seal control pad has been included with the Smartop. Close the Smartop and determine the position of the thermal seal pad. Open the Smartop cover onto itself, dry thoroughly and remove the backing of the thermal seal pad and attach it to the underside of the Smartop in the desired position (see Fig. 9).



## Operation of your Smartop Cover

1. Fold the first half of the Smartop cover off the spa. Gripping the foam grip, motion the Smartop cover into it's vertical upright position.

## CAUTION!

**Do not use the Smartop in high wind condition. Injury from the spa cover being blown over and impacting the spa user can occur.**

**For additional information on our Smartop product, please visit our website: "smartopspacover.com"**

ITEM	PART#	DESCRIPTION	QTY
A	101049	SUPPORT ARM (CANDY CANE)	2
B	100002	FOAM GRIP 8"	2
C	101070	PIVOT ARM 2'5" X 1-1/4"	2
D(L)	101184	BRACKET - LEFT	1
D(R)	101186	BRACKET - RIGHT	1
E	101084	BRACKET SHIM	2
F	100359	#10 X 2" MOUNTING SCREWS	24
H	100008	TOWELMATE	1
I	100033	PLASTIC STOP	2
J	100344	BUSHING	4
K	100026	3/8 X 2-3/4" HEX CAP BOLT	4
L	100012	3/8 FLAT WASHER	4
M	100011	3/8 NYLON LOCKNUT	4
O	100603	PLASTIC SPACER	1
P	100244	5/16 BALL STUD	4
R	100032	5/16 NYLON LOCKNUT	4
S	100034	HEX PLASTIC DOME CAP	4
W	101075 & 101388-390	SHOCK-SMARTOP (500N, 600N, 700N OR 800N)	2
X	100015	LARGE BLACK DOME CAP	9
Y	100016	SMALL BLACK DOME CAP	30
AA	101131	#10 X 5/8" SELF TAPPING SCREWS (STAINLESS STEEL)	12
AB	101055	REAR TUB LOCK ASSEMBLY	2
AC	101056	FRONT TUB LOCK ASSEMBLY	2
AD	101391	BLACK FOAM OVAL COVER	2
AG	101065	#8 X 3/4" PHILIPS FLAT HEAD SCREW (BLACK ZINC)	28
AH	101079	THERMAL SEAL CONTROL PAD	1
AI	101078	LOCK	1