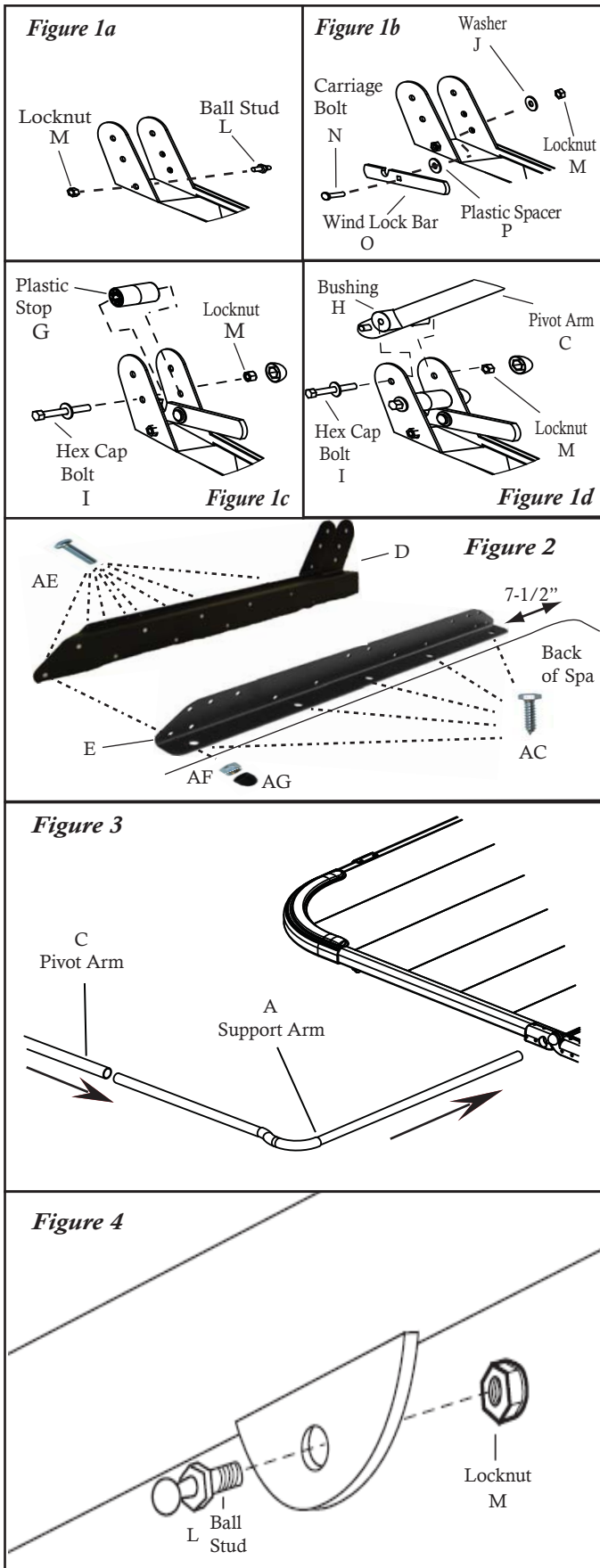


# SMARTOP

by Leisure Concepts

Deckmount Installation Instructions - Updated as of 06/04/18



## Step #1

Position the spa cover (in closed position) on the spa making sure that all four corners are properly positioned and square on the spa.

## Step #2

Attach each aluminum bracket to one of the L-shaped aluminum mounting brackets using (8) 1/4" x 3/4" machine screws and (8) 1/4" locknuts (See Fig. 2).

## Step #3

Install the ball studs on each mounting bracket (See Fig. 1a).

## Step #4

Install the wind lock bar on the determined bracket side (see Fig. 1b). **Note: Lightly tighten nut, washer and bolt combination so that the lock bar moves freely.**

## Step #5

Install the plastic stops on each mounting bracket (See Fig. 1c).

## Step #6

Mount each bracket to the deck 7-1/2" from the back of the spa to the back of the L-shaped bracket and as close to the spa edge as possible using (10) 5/16" x 1-1/2" hex lag bolts. **Note: Pre-drill 1/4" holes in deck to prevent splitting.**

## Step #7

To mount your EAS Lift and Assist, refer to your EAS instruction sheet at this time.

## Step #8

Slide the support arms into the hole in the hinge bracket on either side of the cover (See Fig. 3). **Note: For any spa that is less than 6'8" in length, you will need to cut 2" off the end of the pivot arms and create a new bottom hole with the self-tapping screw. Touch up with a black sharpie as needed.**

## Step #9

Slide the left and right pivot arms into the short end of the support arms (See Fig. 3). **Note: Do not insert self-tapping screws at this time, this will be completed in step #11.** Next, connect the pivot arms to the brackets (See Fig. 1d). Be sure to run the hex cap bolts as pictured. **Lightly tighten the nut so the pivot arm can move freely.**

## Step #10

Next, install the ball studs to the left and right pivot arms. Place the two hex dome caps over the ball stud locknuts. **Note: Be sure that the ball is pointing away from the spa (See Fig. 4).**

## Step #11

Using the #10 self-tapping screws, fasten the support arms to the pivot arms.

## Step #12

By pulling up on the support arm, lift the cover off the spa and place it in the upright position. Attach the gas shock to the bracket first, then attach the shock to the pivot arm. **Note: Be sure to install the gas shocks with the black body on top (see Fig. 5 for complete look). Note: You may need to pull back on the pivot arm a small amount to be able to attach the shock to the pivot arm.**

## Step #13

Remove the (2) green "Attention Installer" stickers on the underside of the Smartop. Using the #10 self-tapping screws, fasten the support arms to the internal tube in the center of the cover through the holes on the underside of the the cover (see Fig. 6). Cover the (3) holes on either side of the Smartop using the supplied black foam oval covers. **Note: Attach the black foam oval covers in the same position the green "Attention Installer" stickers were originally installed on the Smartop.**

## Step #14

Attach the provided 3 hook TowelMate on the preferred side of your Smartop by simply snapping it into place and inserting the middle self-tapping screw (See Fig. 8).

Figure 5

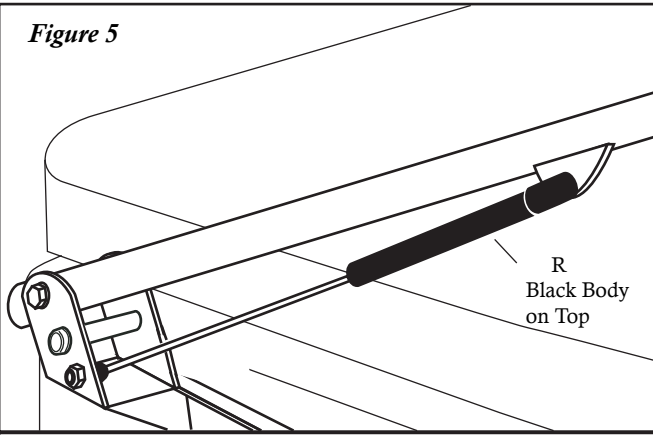


Figure 6

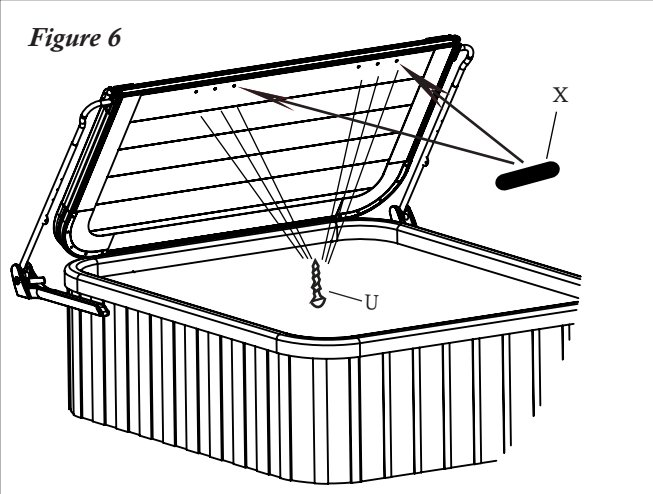


Figure 7

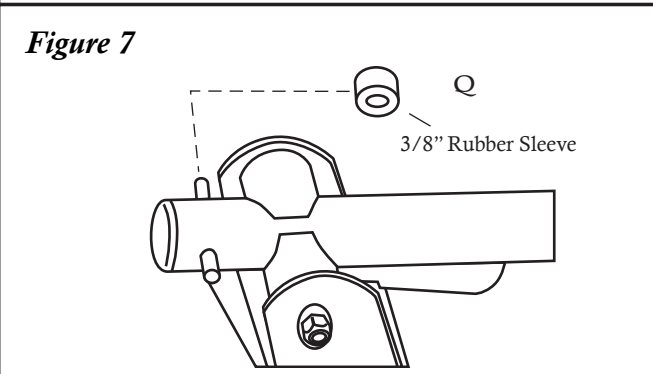


Figure 8

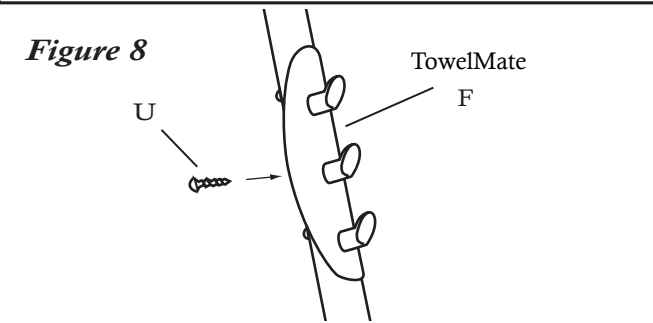


Figure 9a

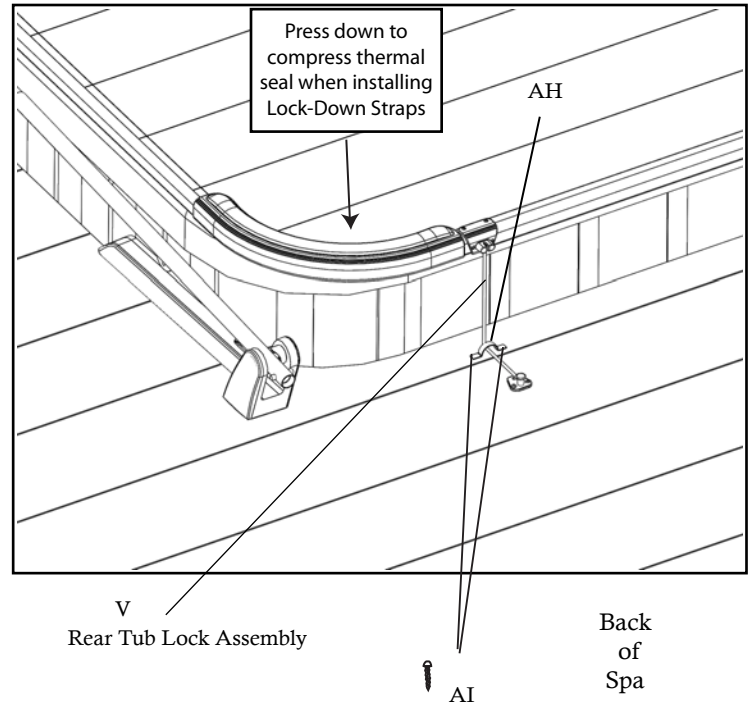
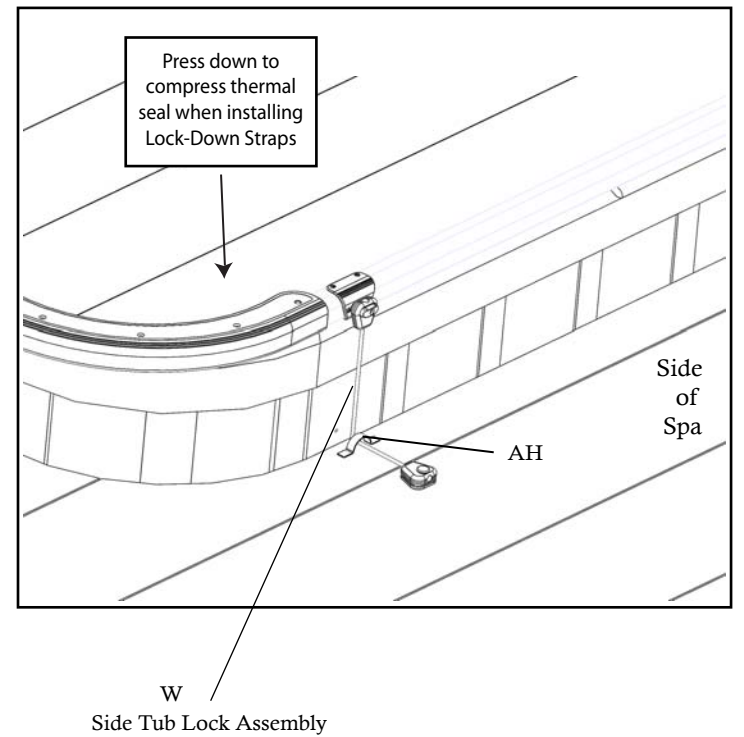


Figure 9b



### Step #15

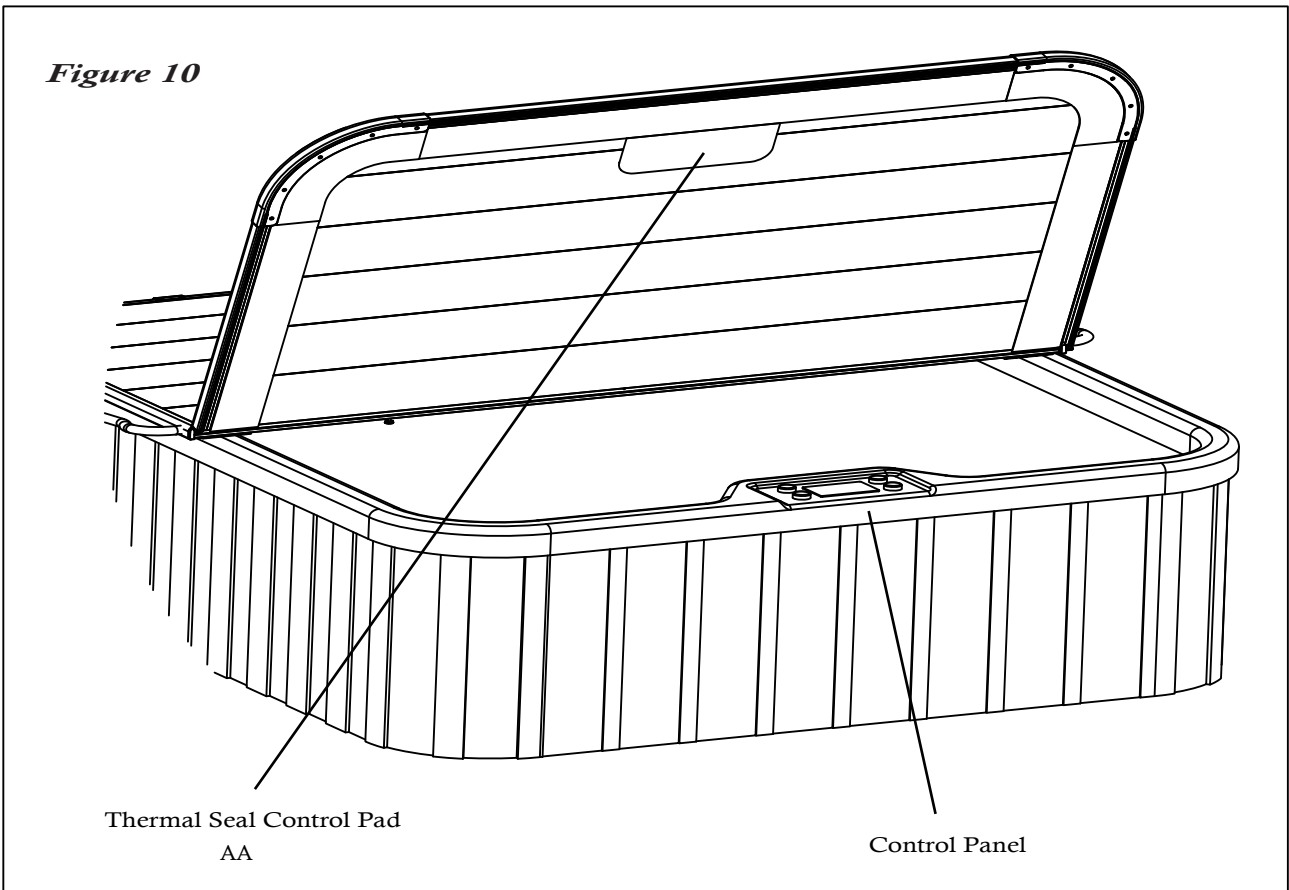
Attach the rear tub lock assembly to the deck surrounding the spa. Make sure to attach the eyepad loops over the cables and to the deck with the supplied #10 x 1-1/2" philips pan head screws. **Note: You will need to remove the rear tub lock assembly from the aluminum trim prior to attaching it to the deck.** Position the rear tub lock assembly in the desired location and swing the cable sideways to reveal the screw holes in the plate that attaches to the deck. **Note: Make sure you put downward pressure on the Smartop to compress the thermal seal while positioning your tub lock assemblies to assure the Smartop is making a good seal.** Attach the plate to the deck using the supplied #8 x 3/4" philips flat head screws (black). **Note: Do not over-tighten screws when attaching to the deck.** Next attach the rear tub lock assembly bracket to the previous position on the aluminum Smartop trim (See Fig. 9a).

### Step #16

Attach the side tub lock assembly to the deck surrounding the spa. Make sure to attach the eyepad loops over the cables and to the deck with the supplied #10 x 1-1/2" philips pan head screws. **Note: You will need to remove the side tub lock assembly from the aluminum trim prior to attaching it to the deck.** Position the side tub lock assembly in the desired location and swing the cable sideways to reveal the screw holes in the plate that attaches to the deck. **Note: Make sure you put downward pressure on the Smartop to compress the thermal seal while positioning your tub lock assemblies to assure the Smartop is making a good seal.** Attach the plate to the deck using the supplied #8 x 3/4" philips flat head screws (black). **Note: Do not over-tighten screws when attaching to the deck.** Next attach the side tub lock assembly bracket to the previous position on the aluminum Smartop trim (See Fig. 9b). **Note: Do not cover the service panel with the side tub lock assembly.**

### Step #17 (Optional)

If the thermal seal on the underside of the Smartop does not completely seal around the control panel of your spa, an additional thermal seal control pad has been included with the Smartop. Close the Smartop and determine the position of the thermal seal pad. Open the Smartop cover onto itself, dry thoroughly and remove the backing of the thermal seal pad and attach it to the underside of the Smartop in the desired position (See Fig. 10).



For additional information on our Smartop product, please visit our website: "smartopspacover.com"

## Operation of your Smartop Cover

1. Fold the first half of the Smartop cover off the spa. Gripping the foam grip, motion the Smartop cover into it's vertical upright position.

### CAUTION!

Do Not use the Smartop in high wind condition. Injury from the spa cover being blown over and impacting the spa user can occur.

| ITEM | PART#                 | DESCRIPTION                                    | QTY |
|------|-----------------------|--|-----|
| A    | 100028                | SUPPORT ARM (CANDY CANE)                       | 2   |
| B    | 100002                | FOAM GRIP 8"                                   | 2   |
| C    | 101070                | PIVOT ARM 2'5" X 1-1/4"                        | 2   |
| D(L) | 101184                | BRACKET - LEFT                                 | 1   |
| D(R) | 101186                | BRACKET - RIGHT                                | 1   |
| E    | 100606                | ALUMINUM MOUNTING BRACKET                      | 2   |
| F    | 100008                | TOWELMATE                                      | 1   |
| G    | 100033                | PLASTIC STOP                                   | 2   |
| H    | 100344                | BUSHING  | 4   |
| I    | 100802                | 3/8 X 3-1/4" HEX CAP BOLT                      | 4   |
| J    | 100012                | 3/8 FLAT WASHER                                | 5   |
| K    | 100011                | 3/8 NYLON LOCKNUT                              | 5   |
| L    | 100244                | 5/16 BALL STUD                                 | 4   |
| M    | 100032                | 5/16 NYLON LOCKNUT                             | 5   |
| N    | 100031                | 3/8 CARRIAGE BOLT                              | 1   |
| O    | 100274                | WIND LOCK BAR                                  | 1   |
| P    | 100603                | PLASTIC SPACER                                 | 1   |
| Q    | 100035                | 3/8" RUBBER SLEEVE                             | 1   |
| R    | 101075,<br>101388-390 | SHOCK-SMARTOP (500N, 600N, 700N OR 800N)       | 2   |
| S    | 100015                | LARGE BLACK DOME CAP                           | 4   |
| T    | 100016                | SMALL BLACK DOME CAP                           | 14  |
| U    | 101131                | #10 X 5/8" SELF-TAPPING SCREWS                 | 12  |
| V    | 101055                | REAR TUB LOCK ASSEMBLY                         | 2   |
| W    | 101056                | SIDE TUB LOCK ASSEMBLY                         | 2   |
| X    | 101391                | BLACK FOAM OVAL COVER                          | 2   |
| Z    | 101065                | #8 X 3/4" PHILIPS FLAT HEAD SCREW (BLACK ZINC) | 28  |
| AA   | 101079                | THERMAL SEAL CONTROL PAD                       | 1   |
| AB   | 101078                | LOCK   | 1   |
| AC   | 100609                | 5/16 X 1-1/2" HEX LAG BOLT                     | 10  |
| AD   | 100034                | 5/16 HEX PLASTIC DOME CAP                      | 14  |
| AE   | 101202                | 1/4 X 3/4" PHILIPS HEAD MACHINE SCREW          | 16  |
| AF   | 100607                | 1/4 NYLON LOCKNUT                              | 16  |
| AG   | 100610                | 1/4 BLACK DOME CAP                             | 16  |
| AH   | 101098                | EYEPAD LOOP                                    | 4   |
| AI   | 100909                | #10 X 1-1/2" PHILIPS PAN HEAD SCREW            | 8   |