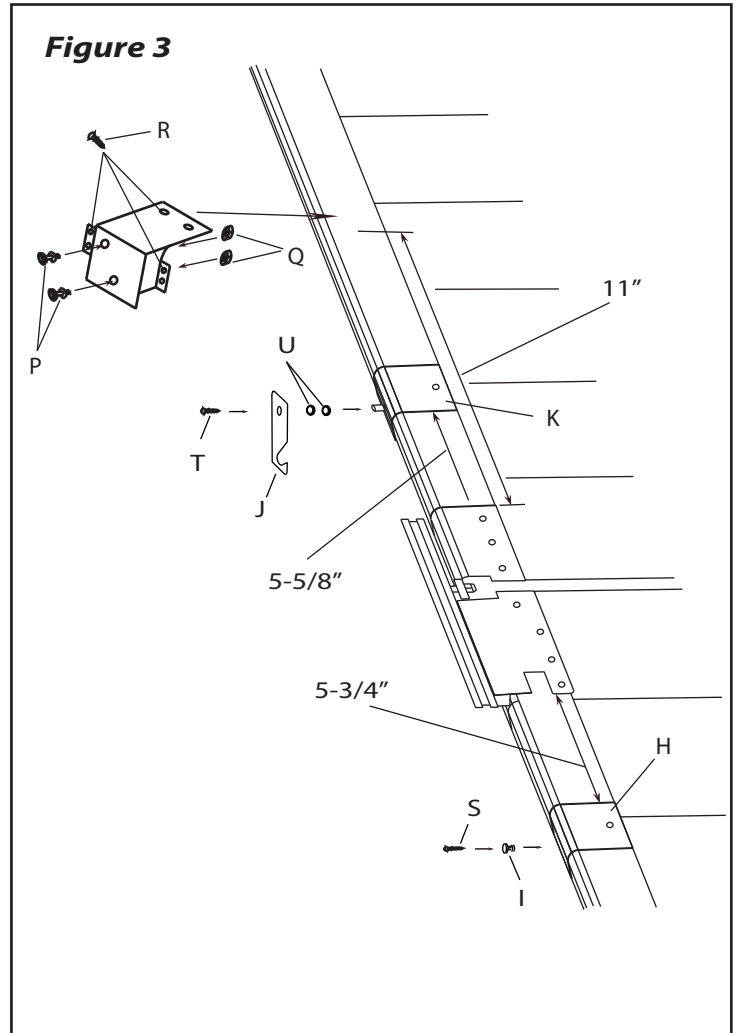


### Step #1

Remove the hinge bolt that attaches the two halves of the plastic hinge brackets.  
**Note: the hinge bolt will be re-used in step #2.** Remove the 3 screws from the half of the hinge bracket that the support arms slide into and discard half bracket (see Fig. 1).

### Step #2

Attach the EAS mount shim with the adhesive strip to the underside of the Smartop trim making sure the holes in the shim line up with the holes in the Smartop (see Fig. 2). Attach the EAS inner housing to the Smartop where the hinge bracket was removed by using 2 screws removed in Step 1 (see Fig. 2). **Note: make sure the bracket slides through the slit in the skirting.** Using the 2-1/4" and the 2" black flat head cap screws and locknuts, attach the EAS inner housing to the Smartop. Next, bolt the EAS inner housing to the hinge bracket installed on the front half of the cover by using the hinge bolt removed in step 1 (see Fig. 2).



### Step #3

Attach the ballstuds and locknuts to the EAS shock mounting bracket. Next, attach the EAS shock mounting bracket to the front half of the Smartop 11 inches from the edge of the plastic hinge bracket to the edge of the EAS shock mounting bracket using the self-tapping screws (see Fig. 3). **Note: make sure the top ball stud is positioned farther towards the front of the cover than the bottom ball stud.**

### Step #4

Attach the EAS latch bar bracket to the front half of the Smartop 5-5/8 inches from the edge of the plastic hinge bracket to the edge of the EAS latch bar bracket using the self-tapping screws (see Fig. 3). Next, attach the EAS latch bar to the bracket using a #10 x 1/2" philips pan head machine screw and 2 plastic washers (see Fig. 3). **Note: do not overtighten, the latch bar needs to swing freely.**

# EAS-*New*

## Step #5

Attach the EAS latch catch bracket to the back half of the Smartop 5-3/4 inches from the edge of the EAS bracket to the edge of the EAS latch catch bracket using the self-tapping screws (see Fig. 3). Using a 1/8" drill bit, pre-drill the hole in the front of the latch catch bracket. Next, attach the catch knob to the EAS latch catch bracket in the pre-drilled hole using a #10 x 1-1/4" philips pan head screw (see Fig. 3).

## Step #6

Attach the shocks to the EAS shock mounting bracket with the black body pointing towards the front of the cover. Next, motion the front half of the Smartop into the vertical position and position the shock ends on the EAS inner housing. **Note: make sure the foam pad on the shock end is pointing away from the spa** (see Fig. 4). Next, attach the EAS outer housing to the inner housing with the 1-1/2" long flat head cap screws (see Fig. 5). Repeat for opposite side of the cover.

## Step #7

Insert the support arm through the hole in the EAS bracket and into the Smartop cover. Next, slide the pivot arm over the support arm and attach the end of the pivot arm to the Smartop mounting bracket using a 3/8 x 2-3/4" hex cap bolt, two 3/8 flat washers and a 3/8 nylon locknut (see Fig. 5). Repeat the process for the opposite side of the Smartop.

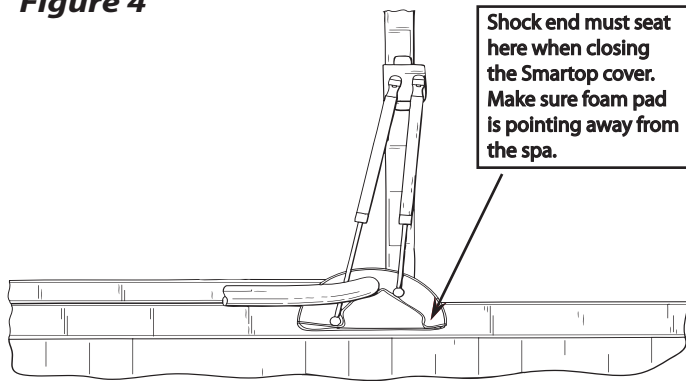
## Step #8

Fold the Smartop in half, then use the cover lifter to motion the Smartop into the full upright position and attach the shocks to the pivot arms.

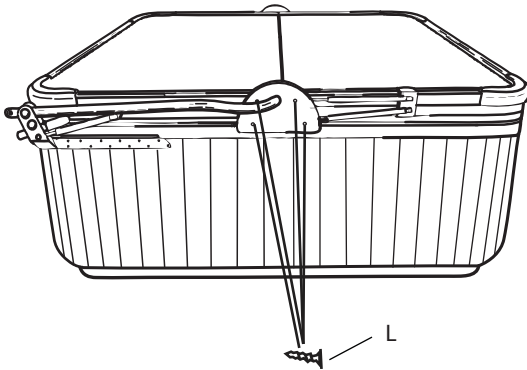
## Step #9

Insert the self-tapping screws in the holes in the underside of the Smartop and attach the foam screw plate covers (see Fig. 6).

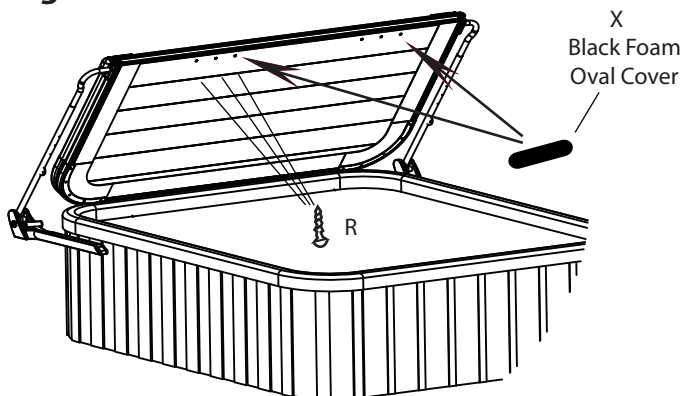
**Figure 4**



**Figure 5**



**Figure 6**



ITEM	PART#	DESCRIPTION	QTY
A	101355	EAS INNER HOUSING - LEFT	1
B	101357	EAS INNER HOUSING - RIGHT	1
C	101359	EAS OUTER HOUSING - LEFT	1
D	101361	EAS OUTER HOUSING - RIGHT	1
E	101363	EAS MOUNT SHIM	2
F	101365	EAS SHOCK MOUNT - LEFT	1
G	101382	EAS SHOCK MOUNT - RIGHT	1
H	101379	EAS LATCH CATCH BRACKET	1
I	100750	MOUNTING KNOB	1
J	101369	EAS LATCH BAR	1
K	101367	EAS LATCH BAR BRACKET	1
L	101370	1/4 X 1-1/2" FLAT HEAD CAP SCREW-BLACK ZINC STAINLESS STEEL	8
M	101371	#8 X 2-1/4" FLAT HEAD MACHINE SCREW-BLACK ZINC STAINLESS STEEL	6
N	101377	#8 X 2" FLAT HEAD MACHINE SCREW-BLACK ZINC STAINLESS STEEL	2
O	101372	#8 NYLON LOCKNUT-BLACK ZINC STAINLESS STEEL	8
P	100244	5/16 BALL STUD	4
Q	100032	5/16 NYLON LOCKNUT	4
R	101131	#10 X 5/8" SELF TAPPING SCREWS-STAINLESS STEEL	18
S	100014	#10 X 1-1/2" PHILIPS PAN HEAD SCREW-STAINLESS STEEL	1
T	101380	#10 X 1/2" PHILIPS PAN HEAD MACHINE SCREW-STAINLESS STEEL	1
U	101375	PLASTIC WASHER	2
V	100016	SMALL BLACK DOME CAPS	19
W	101333-36	SHOCK - EAS (30#, 40#, 50#, 60#)	4
X	101391	BLACK FOAM OVAL COVER	2