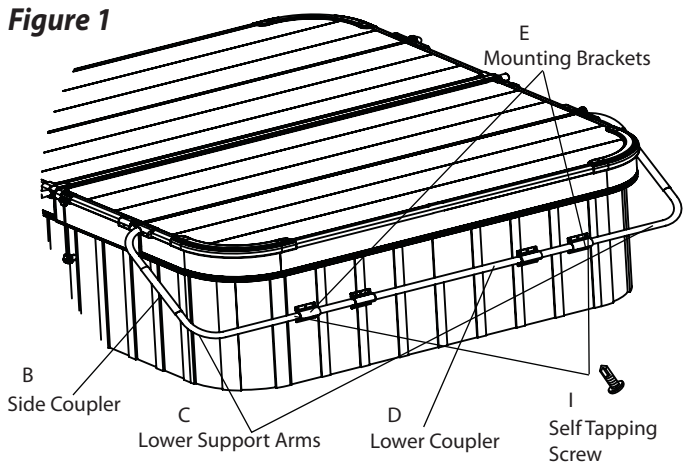


Figure 1



Step #1

Position the Smartop Duo (in closed position) on the spa making sure that all four corners are properly positioned and square on the spa.

Step #2

Using the #10 x 1" mounting screws, attach the mounting brackets to the sides of the spa 18" - 22" down from the top of the acrylic. Mount 2 brackets directly on either side of the lower coupler and mount the other 2 brackets as close to the corners of the spa as possible (see Fig 1). **Caution: to prevent splitting of wood cabinet, pre-drill holes with a 1/16" drill bit.**

Step #3

Insert the long end of the lower support arms through the mounting brackets on the sides of the spa and into the end of the lower coupler piece and attach using the supplied #10 self tapping screws (see Fig 1). **Note: place a #10 self tapping screw into the lower support arm adjacent to the outer edge of each mounting bracket. This will prevent the Smartop Duo from sliding left or right (see Fig 1).** Next slide the upper support arms into the hinge bracket on either side of the cover (see Fig 2). Slide the side coupler onto the ends of the upper and lower support arms and attach with the supplied #10 self tapping screws. **Note: You may need to cut the side coupler pieces down so that the cover fits properly on the spa. Also, lift the cover into the upright position and check to make sure the Smartop is level before installing all of the self tapping screws.** When joining the upper support arms to the lower support arms, first slip the black nylon strap over the side coupler pieces.

Step #4

After assembling the Smartop Duo, motion it into the upright and vertical position. Using a #10 mounting screw, attach the black nylon strap to the side of the spa. Next, position the opposite end of the black nylon strap on the side coupler piece so that it is in a horizontal, level position and attach using a #10 self tapping screw (see Fig. 3).

Step #5

Remove the (4) green "Attention Installer" stickers on the underside of the Smartop. Using the #10 self-tapping screws, fasten the upper support arms to the internal tube in the center of the cover through the holes on the underside of the the cover (see Fig. 4). Cover the (3) holes on either side of the Smartop using the supplied black foam oval covers. **Note: attach the black foam oval covers in the same position the green "Attention Installer" stickers were installed on the Smartop originally.**

Step #6

Attach the provided 3 hook TowelMate on the preferred side of your Smartop Duo by simply snapping it into place and inserting the middle self tapping screw (see Fig. 5).

Figure 2

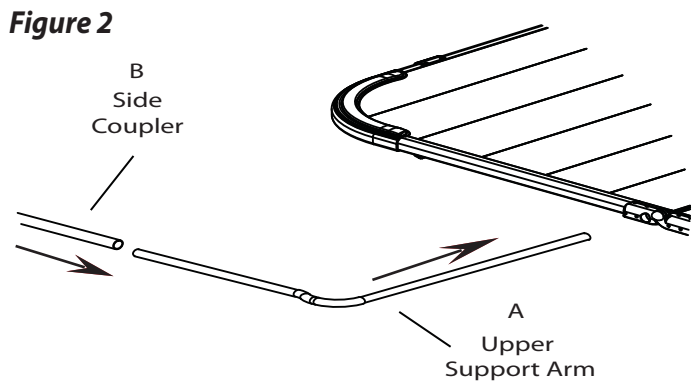


Figure 3

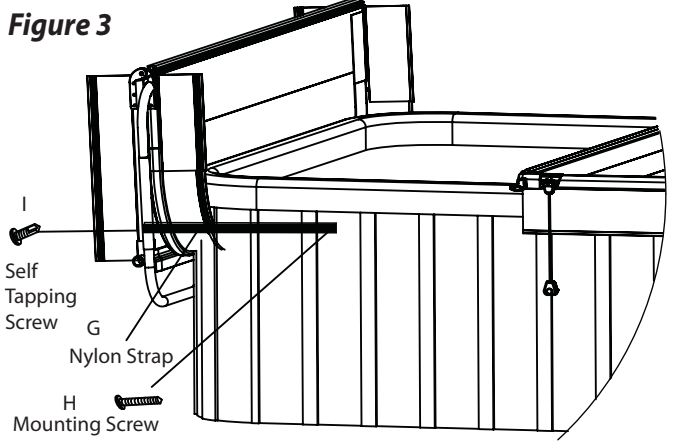


Figure 4

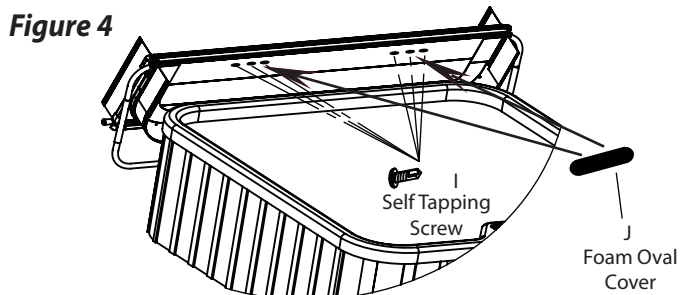


Figure 5

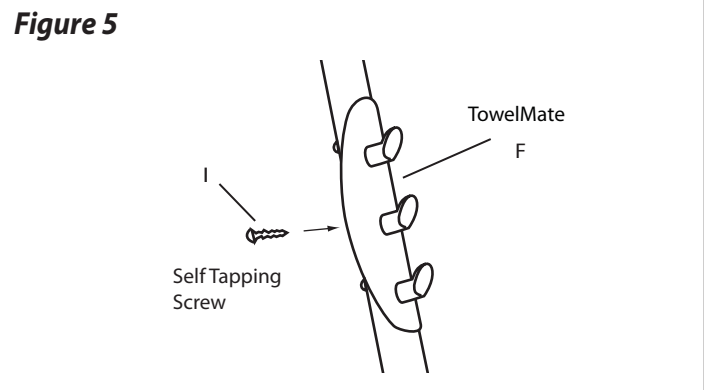
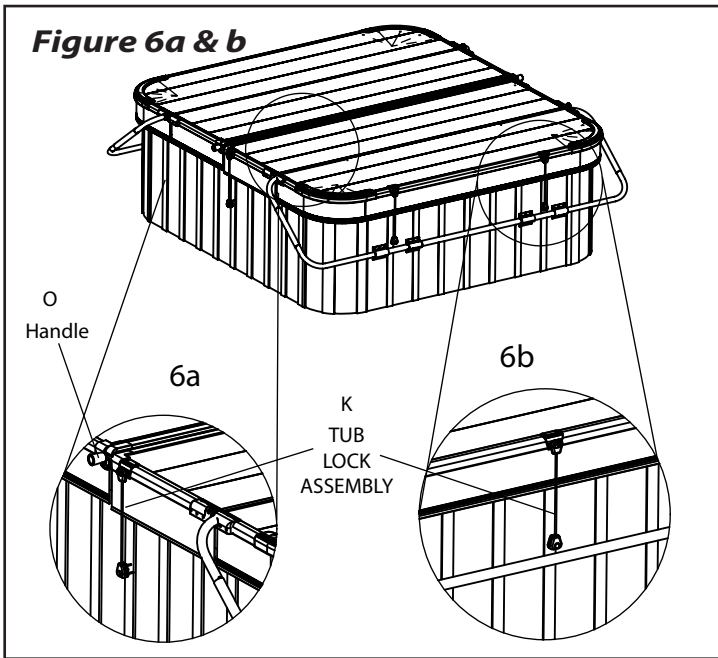


Figure 6a & b



Step #7

Attach the tub lock assembly bracket to the determined position on the aluminum Smartop trim utilizing the provided holes next to the handles (see Fig. 6a). Next, attach the tub lock assemblies to the sides of the Smartop. To accomplish this, position the tub lock assemblies in the desired location and swing the cable sideways to reveal the screw holes in the plate that attaches to the spa cabinet. **Note: make sure to apply downward pressure on the Smartop to compress the thermal seal while positioning your tub lock assemblies. This is to assure the Smartop is making a good seal. Also, make sure to pre-drill screw holes to prevent potential damage to the spa skirting.** Attach the plate to the spa cabinet using the supplied #8 x 3/4" philips flat head screws. **Note: do not overtighten screws when attaching to the spa cabinet.** Repeat for the opposite side of the Smartop. Next, attach the tub lock assemblies to the non-hinge sides of the Smartop using the same process as before (see Fig. 6b).

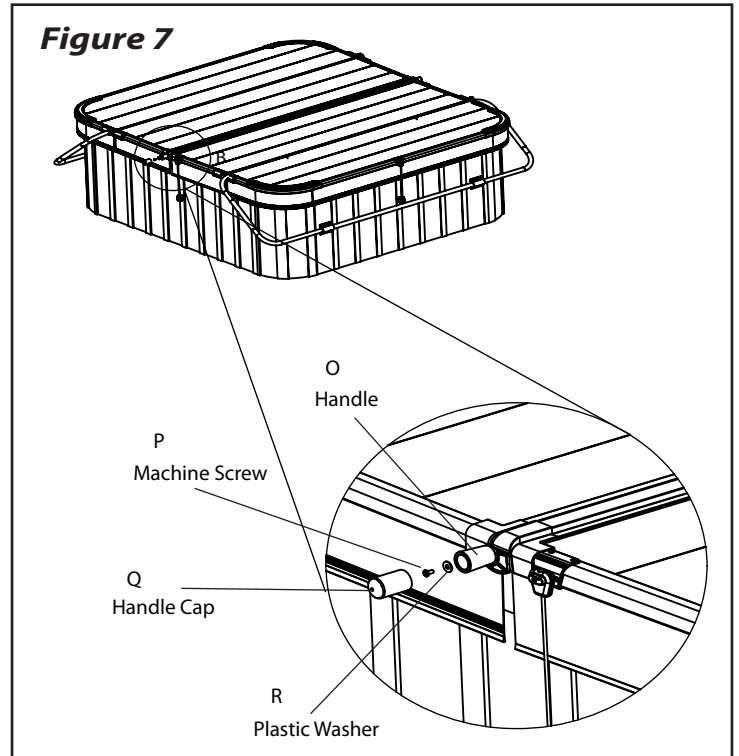
Step #8

Attach the handles to the Smartop using the supplied #10 x 1" philips pan head screw. Slide the handle cap over the handle (see Fig. 7).

Smartop Duo Operating Instructions:

Using the Smartop Duo handle, fold the first half of the cover onto itself. Next, grasp the foam grip on the upper support arm and pull back toward the side of the spa resulting in the first half of the cover in the upright position. Next, fold the first section of the second half of the cover onto itself, then grasp the foam grip on the upper support arm and pull back toward the side of the spa resulting in the second half of the cover in the upright position. To close the Smartop Duo cover, grasp the foam grip on the upper support arm and pull the cover onto the spa, then unfold the cover off of itself and onto the acrylic of the spa. Repeat for the second half of the Smartop cover. **Note: make sure the half of the cover with the handle is the final portion that is closed, or damage to your Smartop cover may result.**

Figure 7



| ITEM | PART# | DESCRIPTION | QTY |
|------|--------|---|-----|
| A | 101049 | UPPER SUPPORT ARM (CANDY CANE) | 4 |
| B | 101260 | SIDE COUPLER | 4 |
| C | 100037 | LOWER SUPPORT ARM | 4 |
| D | 100908 | LOWER COUPLER | 2 |
| E | 100263 | MOUNTING BRACKET | 8 |
| F | 100008 | TOWELMATE | 1 |
| G | 100177 | NYLON STRAP | 4 |
| H | 101100 | #10 X 1" MOUNTING SCREW (STAINLESS STEEL) | 52 |
| I | 101131 | #10 X 5/8" SELF TAPPING SCREW (STAINLESS STEEL) | 48 |
| J | 101391 | BLACK FOAM OVAL COVER | 4 |
| K | 101056 | TUB LOCK ASSEMBLY | 6 |
| L | 101065 | #8 X 3/4" PHILIPS FLAD HEAD SCREW (BLACK ZINC) | 42 |
| M | 101078 | LOCK | 1 |
| N | 100016 | SMALL BLACK DOME CAP | 88 |
| O | 101262 | HANDLE | 2 |
| P | 101264 | #10 X 1" PHILIPS PAN HEAD MACHINE SCREW | 2 |
| Q | 101263 | HANDLE CAP | 2 |
| R | 101265 | PLASTIC WASHER | 2 |