

Pad Assembly Instructions

Step #1

Ground Preparation: The ground surface needs to be flat & level within a bubble on a Level., Most any surface is acceptable for a Smart Deck. Lay each Deck piece out in the pattern you are going to assemble with the Top flat surface down.

Each Deck part needs to have Two (2) H Brackets to lock the parts together on each side of the part except the very outside of the Deck Pattern.

Position H Bracket over "J" slot on two adjacent pads. Push H Bracket down into "J" slot (*See Fig. 1*). Push H Bracket forward in "J" slot and rotate H Bracket down into pads (*See Fig. 2*). Push H Bracket down until the Lock Tabs engage in sides of pads. (*See Fig. 3*). *A Rubber Mallet should be used to tap the Brackets into place. Once all*

Figure 1

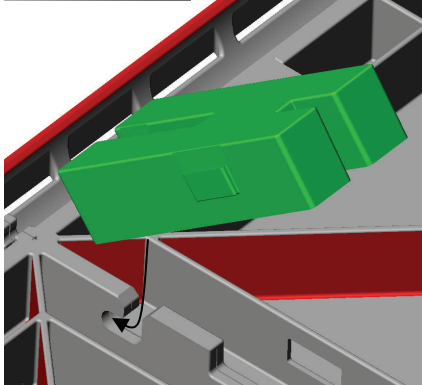


Figure 2

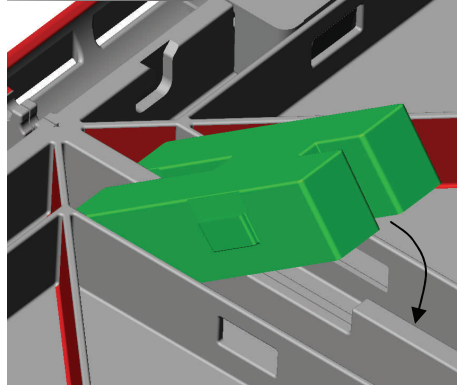
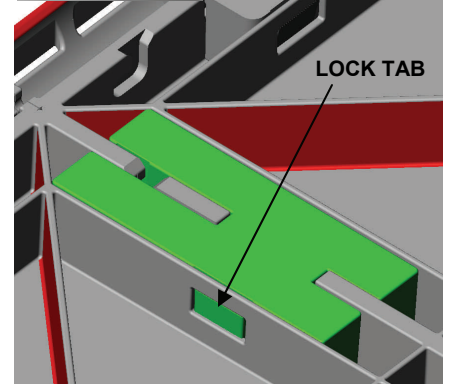


Figure 3



Step #2

Optional Trim Kit: Push Bullnose Straight edging piece straight down into slots on the ends of Pads until the Lock Tab engages into the Pad (*See Fig. 4 & 5*)

Figure 4

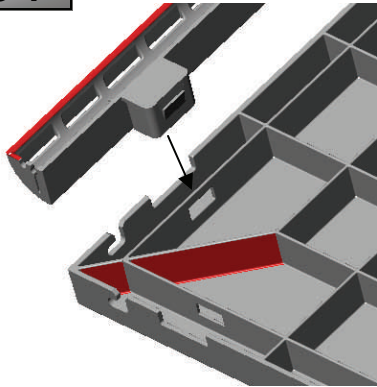
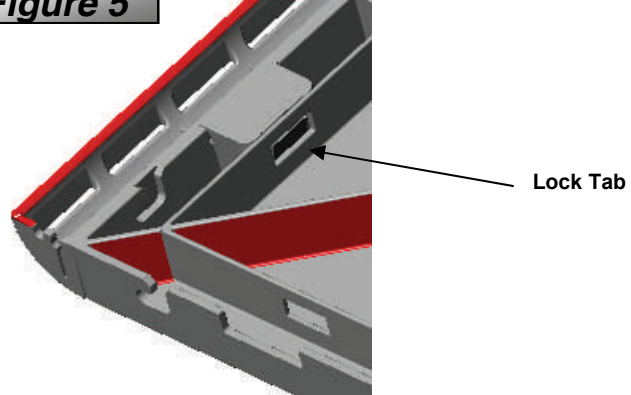


Figure 5



Step #3

Push Bullnose Corner piece straight down into slots on the ends of the Bullnose Straight edging until Bullnose Corner piece snaps into the edging. (*See Fig. 6 & 7*)

Figure 6

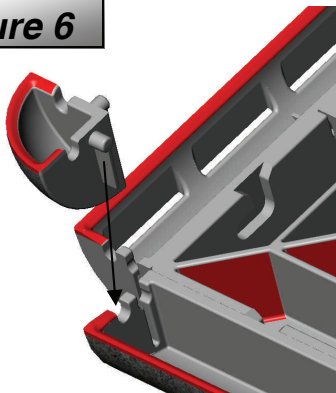


Figure 7

