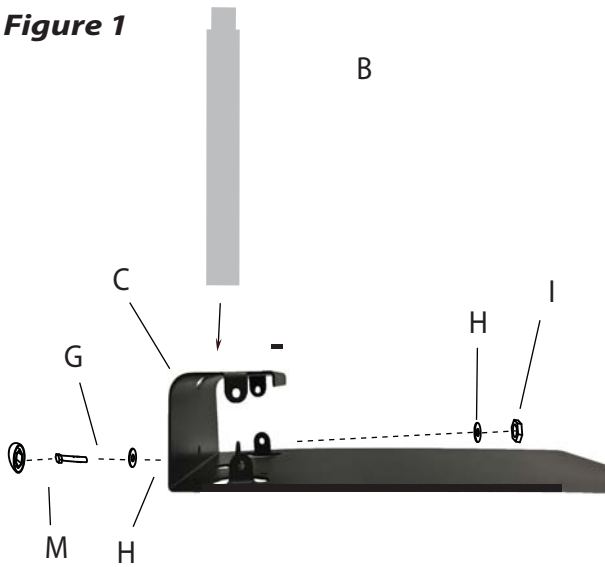


Safe-T-Rail II-SS

Installation Instructions - Updated as of 09/28/17

Figure 1



Step #1

Slide the Safe-T-Rail handle-lower into the Safe-T-Rail base and attach using the 3/8 x 2-3/4" hex bolt, washers and locknut (See Fig 1).

Step #2

Attach the Safe-T-Rail base cover to the Safe-T-Rail base using the 1/4 x 3/4" flat head screws (See Fig 2).

Step #3

Attach the Safe-T-Rail struts to the sides of the Safe-T-Rail base using the 5/16 x 3/4" bolts and 5/16 locknuts (See Fig 3).

Step #4

Slide the Safe-T-Rail bracket onto the Safe-T-Rail II handle-upper. Next, peel the white backing off the Safe-T-Rail II bracket pad and attach to the Safe-T-Rail bracket (See Fig 4). **Note, this does not get attached to the spa cabinet. It is a bumper only.**

Step #5

Slide the Safe-T-Rail II handle-upper over the Safe-T-Rail II handle-lower and attach the struts using a 3/8 x 2-3/4" hex bolt, washers (2) and locknut (See Fig 5).

Figure 2

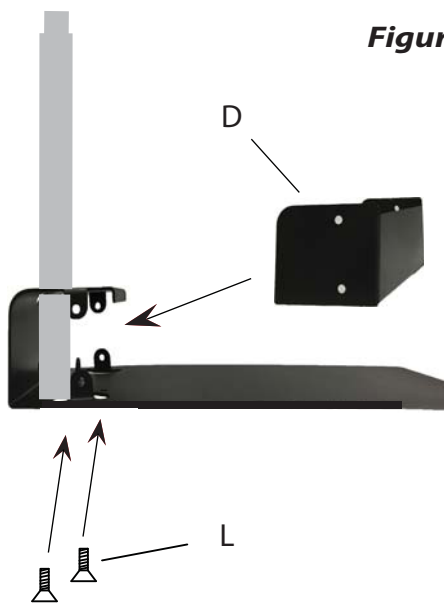


Figure 4

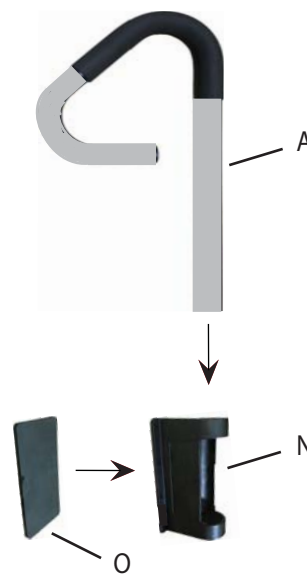


Figure 5

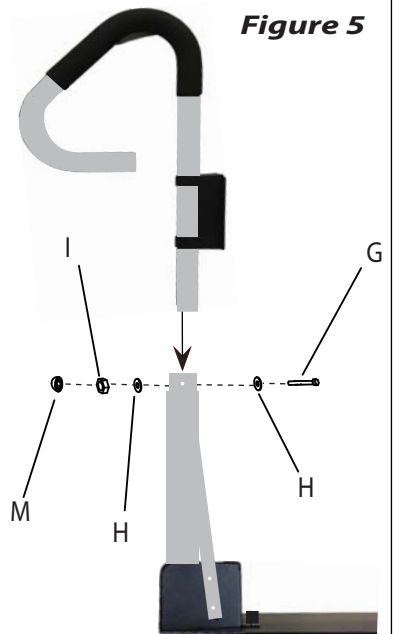
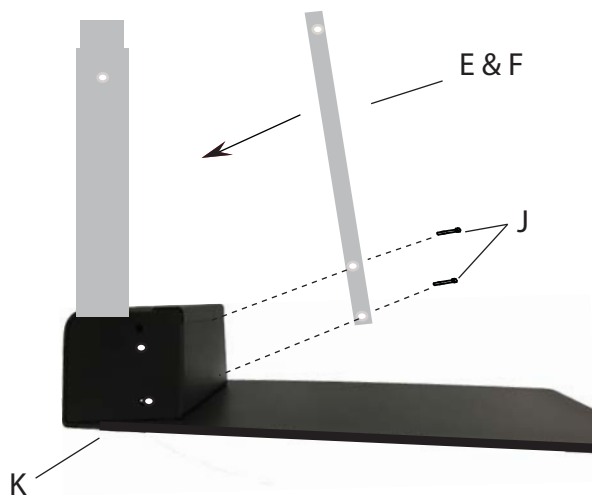


Figure 3



ITEM	PART#	DESCRIPTION	QTY
A	101289	SAFE-T-RAIL II HANDLE UPPER - STAINLESS	1
B	101290	SAFE-T-RAIL II HANDLE LOWER - STAINLESS	1
C	101298	SAFE-T-RAIL II BASE	1
D	101299	SAFE-T-RAIL II BASE COVER	1
E	101291	SAFE-T-RAIL II STRUT-LEFT - STAINLESS	1
F	101292	SAFE-T-RAIL II STRUT-RIGHT - STAINLESS	1
G	101306	3/8 X 2-3/4" BOLT - STAINLESS	2
H	101307	3/8 FLAT WASHER - STAINLESS	4
I	101308	3/8 LOCKNUT - STAINLESS	2
J	101303	5/16 X 3/4" BOLT - STAINLESS	4
K	101304	5/16 LOCKNUT - STAINLESS	4
L	101396	1/4 X 3/4" FLAT HEAD SCREWS - BLACK ZINC	2
M	100015	LARGE BLACK DOME CAP	3
N	100295	SAFE-T-RAIL BRACKET	1
O	101328	STR BRACKET PAD	1