

Step #1

Slide the Safe-T-Rail handle-lower into the Safe-T-Rail base and attach using the 3/8 x 2-3/4" hex cap bolt, washers and locknut (see Fig. 1).

Note: Make sure the Safe-T-Rail handle-lower is seated in-between the front of the base and the rear tab.

Step #2

Attach the Safe-T-Rail base cover to the Safe-T-Rail base using the 1/4 x 3/4" flat head screws (see Fig. 2).

Step #3

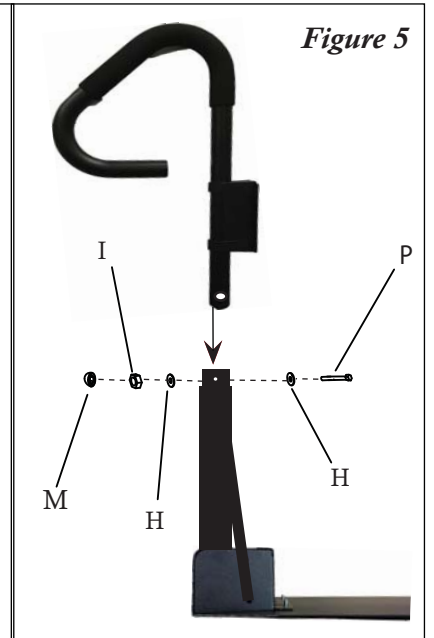
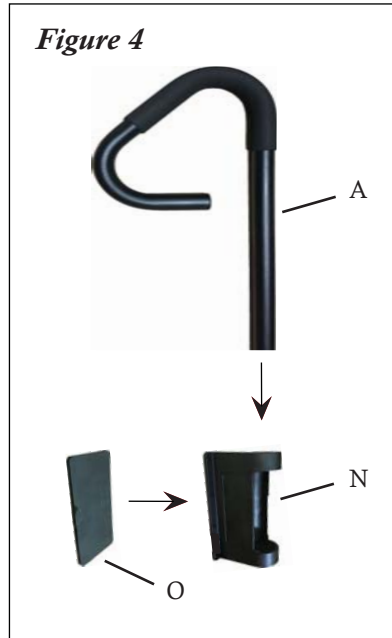
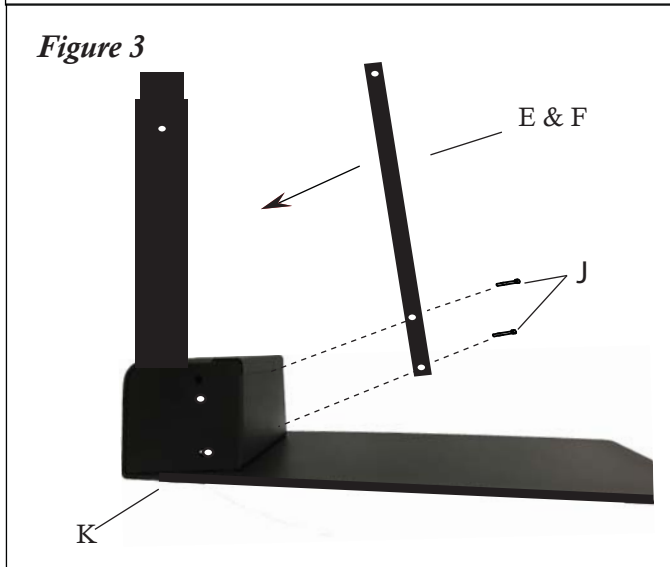
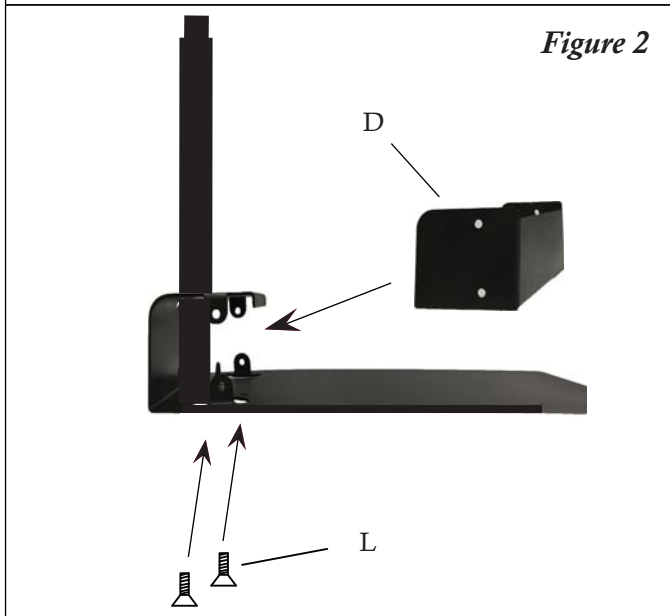
Attach the Safe-T-Rail struts to the sides of the Safe-T-Rail base using the 5/16 x 3/4" bolts and 5/16 locknuts (see Fig. 3).

Step #4

Slide the Safe-T-Rail bracket onto the Safe-T-Rail II handle-upper. Next peel the white backing off the Safe-T-Rail II bracket pad and attach to the Safe-T-Rail bracket (see Fig. 4). **Note:** This does not get attached to the spa cabinet. It is a bumper only.

Step #5

Slide the Safe-T-Rail II handle-upper over the Safe-T-Rail II handle-lower and attach the struts using a 3/8 x 2-3/8" hex bolt, washers and locknut (see Fig. 5).



ITEM	PART#	DESCRIPTION	QTY
A	101296	SAFE-T-RAIL II HANDLE UPPER	1
B	101297	SAFE-T-RAIL II HANDLE LOWER	1
C	101298	SAFE-T-RAIL II BASE	1
D	101299	SAFE-T-RAIL II BASE COVER	1
E	101300	SAFE-T-RAIL II STRUT - LEFT	1
F	101327	SAFE-T-RAIL II STRUT - RIGHT	1
G	101294	3/8 X 2-3/4" BOLT - BLACK ZINC	1
H	100951	3/8 FLAT WASHER - BLACK ZINC	4
I	100838	3/8 LOCKNUT - BLACK ZINC	2
J	101293	5/16-18 X 3/4" BOLT - BLACK ZINC	4
K	100841	5/16-18 LOCKNUT - BLACK ZINC	4
L	101396	1/4-20 X 3/4" FLAT HEAD SCREW - BLACK ZINC	2
M	100015	LARGE BLACK DOME CAP	3
N	100295	SAFE-T-RAIL BRACKET	1
O	101328	STR BRACKET PAD	1
P	101608	3/8 X 2-1/4" BOLT - BLACK ZINC	1