

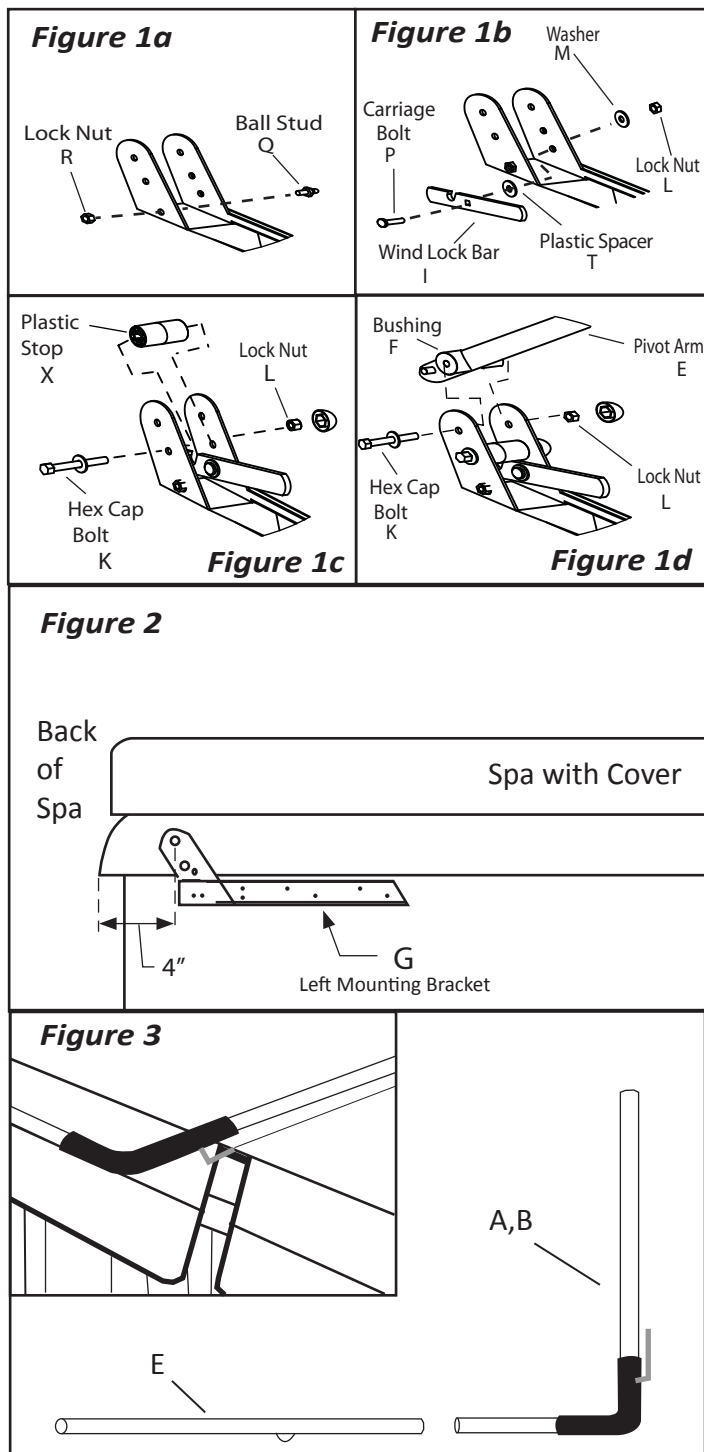
Sundance Spas

Designed specifically for Sundance(R) Spas 980(TM) Series spas, by *Leisure Concepts*
The leader in spa accessories

Easy-to-open cover lift CM-III

Installation Instructions - Updated as of 11/08/16

Congratulations on your purchase. This lift was designed to fit seamlessly with the Sundance(R) Spas 980(TM) Series models and is engineered for durability and ease of use. Please follow the installation instructions below for proper fit and function.



Step #1

Position the spa cover (in closed position) on the spa making sure that all four corners are properly positioned and square on the spa.

Step #2

Install the ball studs on each mounting bracket (see Fig. 1a).

Step #3

Install the wind lock bar on the determined bracket side (see Fig. 1b). **Note: lightly tighten nut, washer and bolt combination so that the lock bar moves freely.**

Step #4

Install the plastic stops on each mounting bracket (see Fig. 1c).

Step #5

Using the #10 x 1-1/2" Mounting Screws, attach the Left and Right Mounting Brackets to the appropriate sides of the spa (see Fig. 2). **Note: the brackets can be mounted directly on the top rail of the spa or to the sidewall of the spa.** Caution: to prevent splitting of wood cabinets, pre-drill holes with a 1/16" drill bit.

Step #6

Starting with the left side first, lay the long end of the Support Arms on the top of the cover, lying parallel to the spa cover hinge about 1/2" away. Slide the U-shaped retainer clip between the two cover halves with the horizontal part touching the underside of the cover hinge (see Fig. 3) **Note: Do not insert the U-shaped retainer clip in between the seams of the spa cover.** With the left Support Arm lying on the cover, slide the Center Coupler piece over the long end of the left Support Arm. Next, slide the long end of the right Support Arm into the center coupler and slide the U-shaped retainere clip between the two cover halves.

Step #7

Slide the left and right Pivot Arms onto the short end of the Support Arms (see Fig. 3). **Note: Do not insert the self-tapping screws at this time, this will be completed in step #9.** Next, connect the Pivot Arms to the Mounting Brackets (see Fig. 1d). Be sure to run the Hex Cap Bolts as pictured. **Note: Lightly tightened the nut so the Pivot Arm moves freely.**

Step #8

Next, install the Ball Studs to the Left and Right Pivot Arms. Place the two Hex Dome Caps over the Ball Stud Lock Nuts. **Note: be sure that the ball is pointing away from the spa** (see Fig. 4).

Step #9

With the Center Coupler and Support Arms adjusted properly (About 1/2" away from the cover hinge and centered on the spa), use the #10 X 5/8" self tapping screws to fasten the Support Arms to the Pivot Arms and the Center Coupler to the Support Arms (see Fig. 5). **Note: be sure to rotate the Center Coupler so that the inserted screws are at a horizontal angle with the screw head facing the back of the spa.**

Step #10

Using the Covermate, lift the cover off the spa and place it in the upright position. Snap the gas shocks on to the Ball Studs. **Note: be sure to install the Gas Shocks with the black body on top.** (see Fig. 6 for complete look).

Step #11

Attach the 3/8" Rubber Sleeve to the end of the Pivot Arm that the Wind Lock Bar latches on to (see Fig. 7).

Step #12

Attach the provided 3 hook Towelmate on the preferred side of your Covermate by simply snapping it in place and inserting the middle 5/8" Self-Tapping Screw (see Fig. 8).

Figure 4

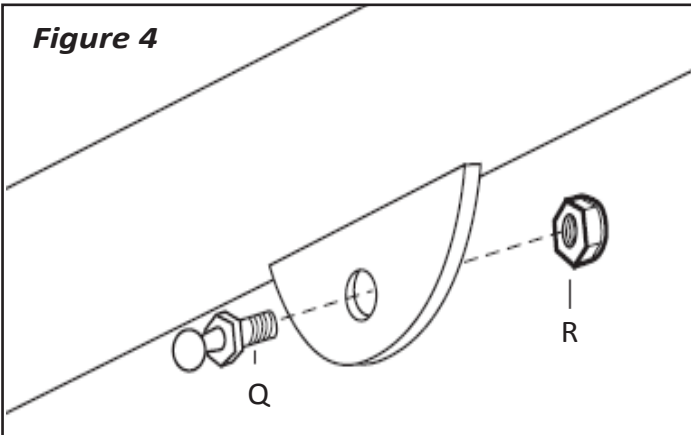


Figure 5

Back of Spa

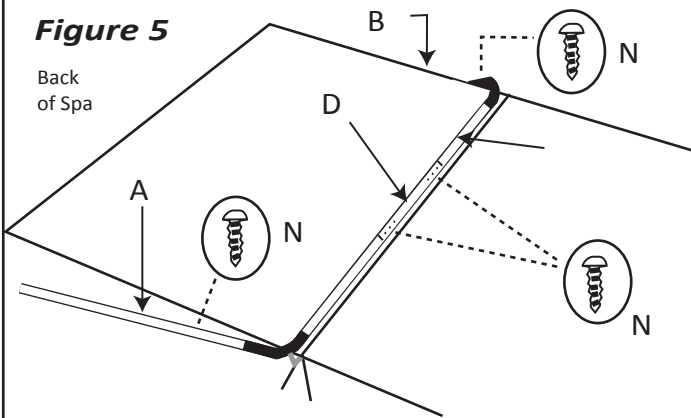


Figure 6

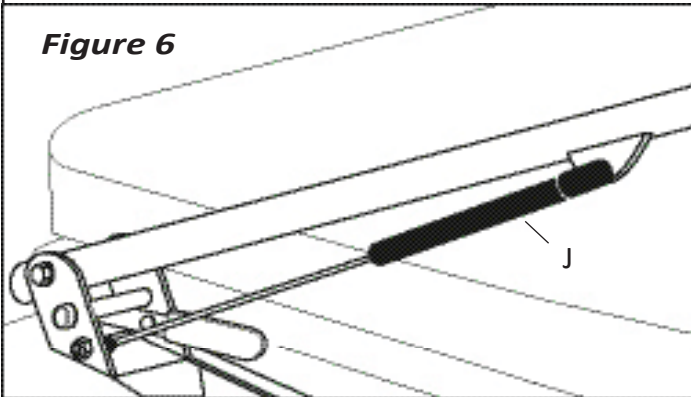


Figure 7

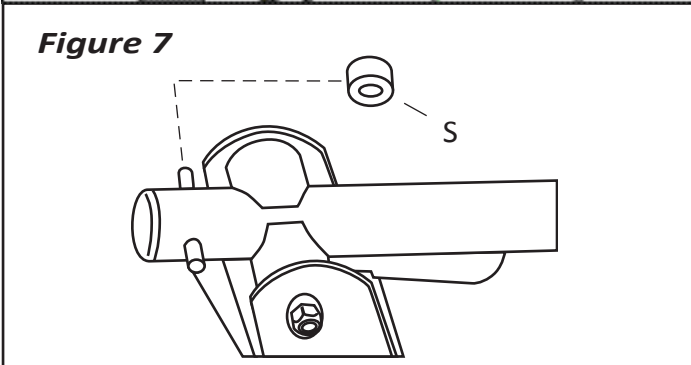
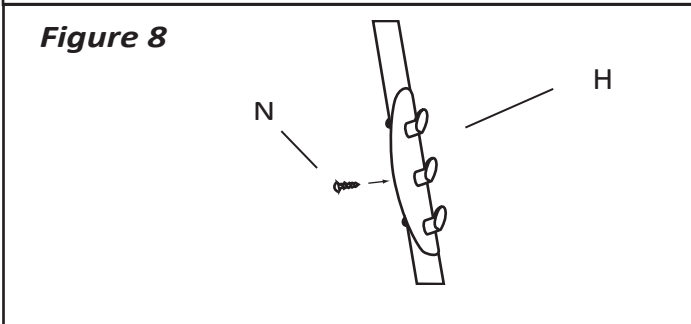


Figure 8



Step #13

Attach the provided Large Dome Caps to the heads of the Bolts used to attach the Pivot Arms to the Mounting Brackets in Step 5. Snap the Small Dome Caps on to the exposed heads of the Mounting Screws and the Self-Tapping Screws.

Operation of the Easy-to-open cover lift CM-III

1. Fold the first half of the spa cover off the spa. Gripping the foam grip. Motion the spa cover into its vertical upright position
2. Important: when closing the spa cover always unlock the Wind Lock Bar by lifting up on the larger bar and pulling the Covermate down to prevent possible lift damage.

CAUTION! Do not use the Covermate in high wind condition. Injury from the spa cover being blown over and impacting the spa user can occur.

Parts Included in this case

ITEM	PART#	DESCRIPTION	QTY
A	100029	SUPPORT ARM W/RETAINER-LEFT	1
B	100028	SUPPORT ARM W/RETAINER-RIGHT	1
C	100002	FOAM GRIP 8"	2
D	100003	CENTER COUPLER	1
E	100985	EXTENDED PIVOT ARM	2
F	100344	PIVOT BUSHING	4
G(L)	100549	MOUNTING BRACKET-LEFT	1
G(R)	100550	MOUNTING BRACKET-RIGHT	1
H	100008	TOWELMATE	1
I	100274	WIND LOCK BAR	1
J	100245	SHOCK-CMIII	2
K	100026	3/8 X 2-3/4" HEX CAP BOLT	4
L	100011	3/8 NYLON LOCKNUT	5
M	100012	3/8 FLAT WASHER	5
N	100013	#10 X 5/8" SELF TAPPING SCREW	12
O	100909	#10 X 1-1/2" MOUNTING SCREW	14
P	100031	3/8 CARRIAGE BOLT	1
Q	100244	5/16 BALL STUD	4
R	100032	5/16 NYLON LOCKNUT	4
S	100035	3/8" RUBBER SLEEVE	1
T	100603	PLASTIC SPACER	1
U	100015	LARGE BLACK DOME CAP	5
V	100034	HEX PLASTIC DOME CAP	4
W	100016	SMALL BLACK DOME CAP	30
X	100033	CMIII PLASTIC STOP	2

Manufactured for Sundance (R) Spas by

