

Coast Spas CM III

Installation Instructions - Updated as of 09/28/17

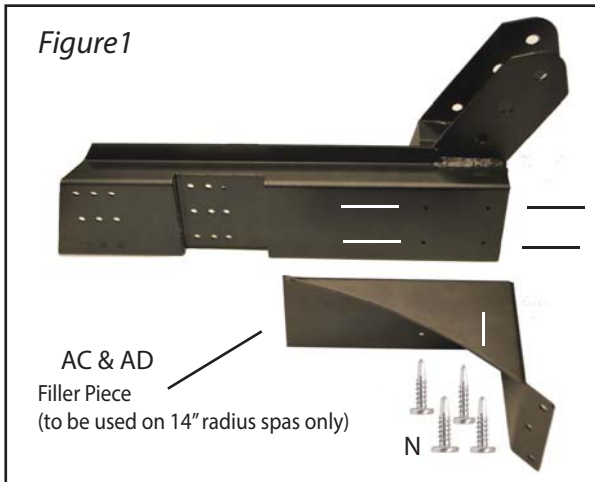


Figure 1

Step #1

Position the spa cover (in closed position) on the spa. Making sure that all four corners are properly positioned and square on the spa.

Step #2

For 8" radius spas, skip to step 3. For 14" radius spas, attach the filler pieces to the left & right mounting brackets using (8) #10 x 5/8" self tapping screws. (see Fig. 1)

Step #3

Attach the ball studs to the left and right mounting brackets (see Fig. 2a).

Step #4

Install the plastic stop and pivot arm assembly (see Fig. 2b & 2c). **Note: Lightly tighten bolt assembly.**

Step #5

Attach the left and right mounting brackets to the appropriate sides of the spa using (6) #10 x 1" and (36) #10 x 2-1/2" screws (see Fig. 3)

Step #6

Starting with the left side first, lay the long end of the cover support arm on the top of the cover, lying parallel to the spa cover hinge about 1/2" away. Slide the U-shaped retainer clip under the cover hinge. **Note: Do not insert the U-shaped retainer clip in between the seams of the spa cover (see Fig. 4).** With the left support arm lying on the cover, slide the center coupler piece over the long end of the left cover support arm. Next, slide the long end of the right support arm into the center coupler making sure that the U-shaped retainer clip is inserted in between the two cover halves with the horizontal part touching the underside of the cover hinge.

Step #7

Slide the left and right pivot arms onto the short end of the support arms. Then connect the pivot arms to the brackets (see Fig. 4 & 2 respectively). **Note: Do not insert the self-tapping screws at this time. This will be completed in step# 9.** Be sure to run the bolt head as pictured. **Lightly tighten the bolt so that the pivot can move freely. Note: Over-tightening may lead to failure of the bracket.**

Step #8

Next, install the ball studs to the left and right pivot arms. **Note: Be sure that the ball is pointing away from the spa (see Fig. 5).**

Step #9

With the center coupler piece and support arms adjusted properly (about 1/2" away from cover hinge and centered on spa), using the #10 self tapping screws, fasten support arms to pivot arms and center coupler piece to the support arms (see Fig. 6). **Note: Be sure to rotate the coupler so that the inserted screws are at a horizontal angle with the screw head facing the back of the spa.**

Step #10

Using the Covermate, lift the cover off the spa and place it in the upright position. Snap the gas shocks on the ball studs. **Note: Be sure to install the gas shocks with the black body on top (see Fig. 7).**

Step #11

Attach the provided 3 hook TowelMate on the preferred side of your Covermate by simply snapping it into place and inserting the middle self tapping screw (See Fig 8).

Figure 2a

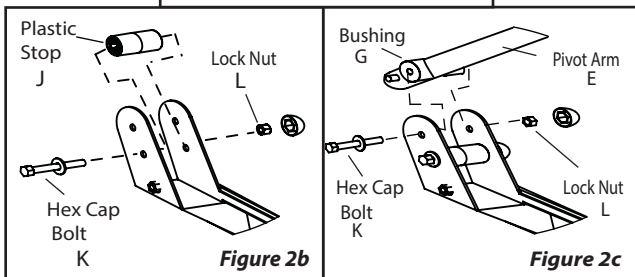
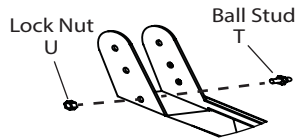


Figure 2b

Figure 2c

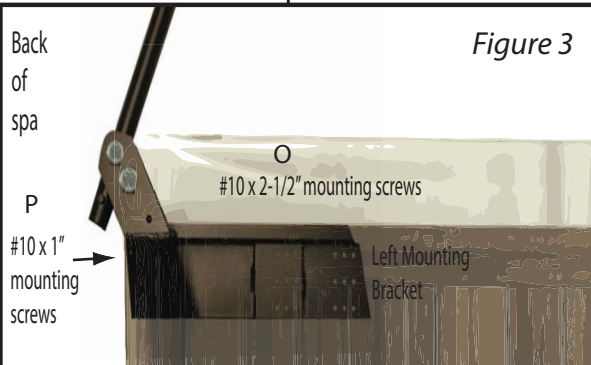


Figure 3

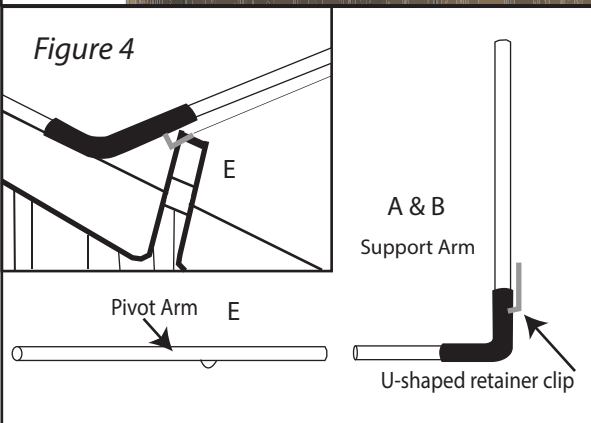


Figure 4

Figure 5

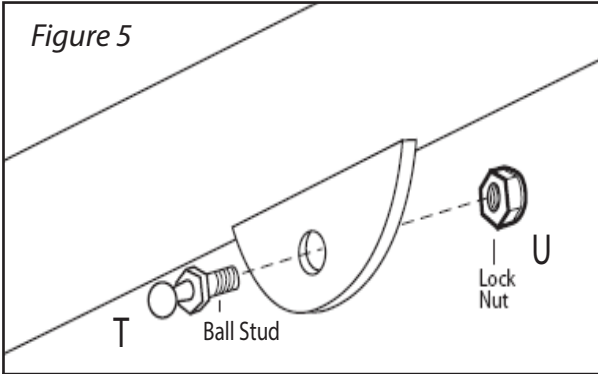


Figure 6

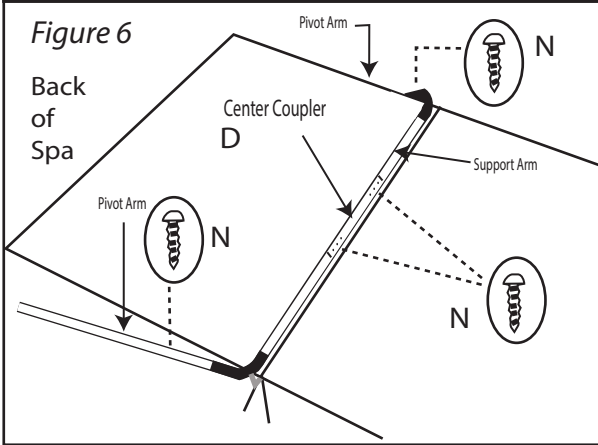


Figure 7

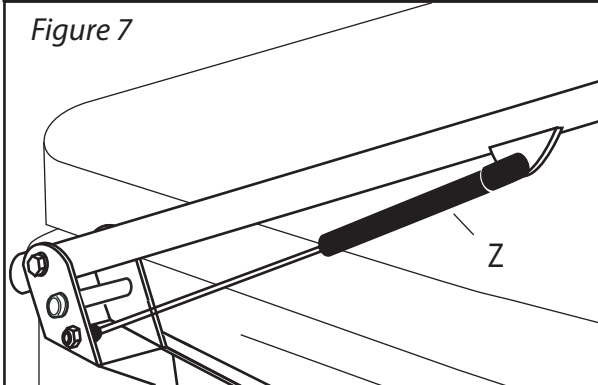
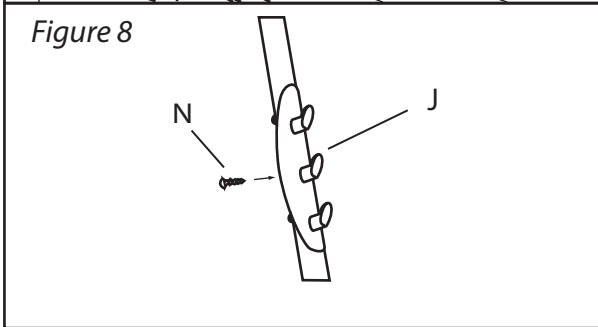


Figure 8



Operation of the Covermate III

1. Fold the first half of the spa cover off the spa. By gripping the foam grip, motion the spa cover into its vertical upright position.

CAUTION!

Do not use the Covermate in high wind condition. Injury from the spa cover being blown over and impacting the spa user can occur.

ITEM	PART#	DESCRIPTION	QTY
A	100028	SUPPORT ARM W/RETAINER-RIGHT	1
B	100029	SUPPORT ARM W/RETAINER-LEFT	1
C	100002	FOAM GRIP 8"	2
D	100003	CENTER COUPLER	1
E	100022	PIVOT ARM	2
G	100344	BUSHING	4
H (L)	100503	ALUMINUM BRACKET - LEFT	1
H (R)	100504	ALUMINUM BRACKET - RIGHT	1
I	100008	TOWELMATE	1
J	100033	CMIII PLASTIC STOP	2
K	100026	3/8 X 2-3/4" HEX CAP BOLT	4
L	100011	3/8 NYLON LOCKNUT	4
M	100012	3/8 FLAT WASHER	4
N	100013	#10 X 5/8" SELF TAPPING SCREWS	20
O	100014	#10 X 1" MOUNTING SCREWS	6
P	100367	#10 X 2-1/2" MOUNTING SCREWS	36
R	100016	SMALL BLACK DOME CAP	54
S	100015	LARGE BLACK DOME CAP	8
T	100244	5/16 BALL STUD	4
U	100032	5/16 NYLON LOCKNUT	4
V	100034	HEX PLASTIC DOME CAP	4
AB	101510	SHOCK-CMIII	2
AC	100618	ALUMINUM FILLER - LEFT	1
AD	100619	ALUMINUM FILLER - RIGHT	1